



# LUMINAIRE TESTING LABORATORY, INC.

SUSTAINING MEMBER  
of the  
IESNA

905 Harrison Street · Allentown, PA 18103 · 610-770-1044 · Fax 610-770-8912 · www.LuminaireTesting.com

LTL NUMBER: 10600

DATE: 11-07-2006

PREPARED FOR: PRECISION ARCHITECTURAL LIGHTING

CATALOG NUMBER: 0505S-03-R-4-OP/PB-X-120T5HO

LUMINAIRE: EXTRUDED ALUMINUM HOUSING, FORMED SPECULAR ALUMINUM REFLECTORS, 29 CELL, 3/4" DEEP, FORMED SEMI-SPECULAR ALUMINUM LOUVER, OPEN TOP.

LAMPS: THREE 54 WATT HIGH OUTPUT T5 LINEAR FLUORESCENT LAMPS RATED AT 4400 LUMENS EACH.

LAMP CATALOG NUMBER: PHILIPS F54T5/841/HO/ALTO

BALLASTS: TWO UNIVERSAL LIGHTING TECHNOLOGIES B254PUNV-D

MOUNTING: PENDANT

LUMEN TO CANDELA RATIO USED = 9.18

TOTAL INPUT WATTS = 178.4 AT 120.0 VOLTS

THE 0 DEGREE PLANE IS PARALLEL WITH THE LAMPS.

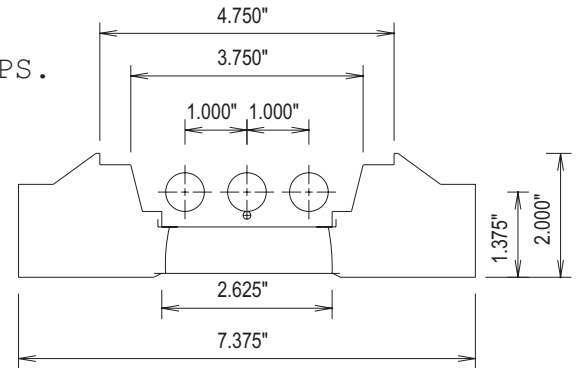
#10600

### CANDELA DISTRIBUTION

	0.0	22.5	45.0	67.5	90.0
0	1679	1679	1679	1679	1679
5	1682	1671	1673	1660	1655
15	1575	1553	1535	1520	1521
25	1411	1366	1354	1377	1399
35	1199	1141	1169	1311	1457
45	950	922	1161	1341	1419
55	616	709	919	1008	1128
65	89	153	360	499	577
75	10	20	20	35	52
85	0	0	0	0	0
90	0	0	0	0	0
95	64	93	27	7	7
105	331	670	559	498	484
115	664	1104	1308	1233	1192
125	992	1359	1808	1937	1937
135	1298	1545	1990	2225	2318
145	1558	1703	2031	2282	2359
155	1769	1828	2023	2168	2227
165	1918	1929	1998	2061	2084
175	1989	1987	2001	1996	1995
180	1995	1995	1995	1995	1995

### FLUX

158
434
633
779
886
780
346
38
1
75
568
1128
1462
1460
1248
927
566
190



### ZONAL LUMEN SUMMARY

ZONE	LUMENS	%LAMP	%FIXT
0- 30	1225	9.3	10.5
0- 40	2004	15.2	17.2
0- 60	3670	27.8	31.4
0- 90	4054	30.7	34.7
90-120	1771	13.4	15.2
90-130	3233	24.5	27.7
90-150	5941	45.0	50.9
90-180	7624	57.8	65.3
0-180	11678	88.5	100.0

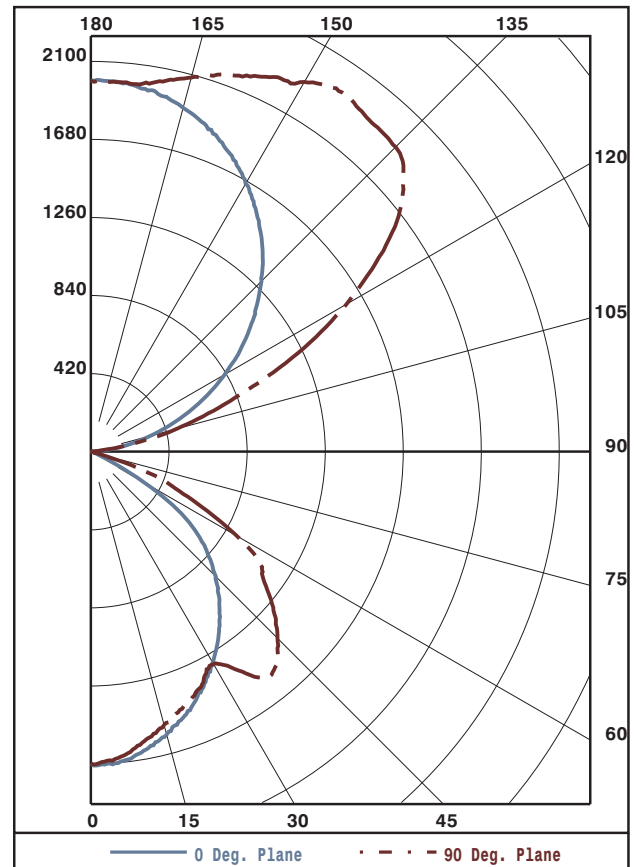
TOTAL LUMINAIRE EFFICIENCY: 88.5%

CIE TYPE: SEMI-INDIRECT

PLANE: 0-DEG 90-DEG

SPACING CRITERIA: 1.2 1.2

SHIELDING ANGLES: 28 23



Approved By: MG

THIS REPORT BASED ON LM-41 AND OTHER PERTINENT IESNA PROCEDURES.



LTL NUMBER: 10600

DATE: 11-07-2006

PREPARED FOR: PRECISION ARCHITECTURAL LIGHTING

COEFFICIENTS OF UTILIZATION - ZONAL CAVITY METHOD
EFFECTIVE FLOOR CAVITY REFLECTANCE 0.20

Table with 10 rows (RC 0-10) and 19 columns (RW 70, 50, 30, 10 for RC 80, 70, 50, 30, 10, 0). Values range from 31 to 8.

PLANE: 0-DEG 90-DEG
LUMINOUS LENGTH: 43.875 2.625

Table with 4 columns: ANGLE IN DEG, AVERAGE 0-DEG, AVERAGE 45-DEG, AVERAGE 90-DEG. Values range from 22595. to 0.



LUMINAIRE TESTING LABORATORY, INC.

SUSTAINING MEMBER of the IESNA

905 Harrison Street · Allentown, PA 18103 · 610-770-1044 · Fax 610-770-8912 · www.LuminaireTesting.com

LTL NUMBER: 10600

DATE: 11-07-2006

PREPARED FOR: PRECISION ARCHITECTURAL LIGHTING

CANDELA DISTRIBUTION

Table with 6 columns representing candela values at various angles (0.0, 22.5, 45.0, 67.5, 90.0) for beam diameters from 0 to 180.

ZONAL LUMEN SUMMARY

Table with 2 columns representing zonal lumen values for beam diameter ranges from 0-5 to 175-180.

THIS TEST WAS CONDUCTED USING RELATIVE PHOTOMETRY TECHNIQUES ACCORDING TO STANDARD IESNA PROCEDURES. THE USER MUST THEREFORE USE CAUTION IN THE FOLLOWING SITUATIONS: 1) THIS TEST WAS PERFORMED USING A SPECIFIC BALLAST/LAMP COMBINATION. EXTRAPOLATION OF THESE DATA FOR OTHER BALLAST/LAMP COMBINATIONS MAY PRODUCE ERRONEOUS RESULTS. 2) ACCORDING TO IESNA PROCEDURES, THE BALLAST(S) AND LAMP(S) ARE PRESUMED TO PRODUCE 100% OF RATED OUTPUT. AN APPROPRIATE BALLAST FACTOR MUST BE APPLIED TO THE LUMEN OUTPUT RATINGS AND LUMINOUS INTENSITY VALUES GIVEN. 3) THIS TEST WAS CONDUCTED IN A CONTROLLED LABORATORY ENVIRONMENT WHERE THE AMBIENT TEMPERATURE WAS HELD AT 25°C ±1°C. FIELD PERFORMANCE MAY DIFFER PARTICULARLY IN REGARDS TO CHANGE IN LUMINOUS OUTPUT AS A RESULT OF DIFFERENCE IN AMBIENT TEMPERATURE AND METHOD OF MOUNTING THE LUMINAIRE.