



**LUMINAIRE TESTING LABORATORY, INC.**

SUSTAINING MEMBER  
of the  
IESNA

905 Harrison Street · Allentown, PA 18103 · 610-770-1044 · Fax 610-770-8912 · www.LuminaireTesting.com

LTL NUMBER: 10601

DATE: 11-07-2006

PREPARED FOR: PRECISION ARCHITECTURAL LIGHTING

CATALOG NUMBER: 0505S-03-R-4-OP/PBW-X-120T5HO

LUMINAIRE: EXTRUDED ALUMINUM HOUSING, FORMED SPECULAR ALUMINUM REFLECTORS, 29 CELL, 3/4" DEEP, FORMED WHITE ENAMEL ALUMINUM LOUVER, OPEN TOP.

LAMPS: THREE 54 WATT HIGH OUTPUT T5 LINEAR FLUORESCENT LAMPS RATED AT 4400 LUMENS EACH.

LAMP CATALOG NUMBER: PHILIPS F54T5/841/HO/ALTO

BALLASTS: TWO UNIVERSAL LIGHTING TECHNOLOGIES B254PUNV-D

MOUNTING: PENDANT

LUMEN TO CANDELA RATIO USED = 9.18

TOTAL INPUT WATTS = 178.1 AT 120.0 VOLTS

THE 0 DEGREE PLANE IS PARALLEL WITH THE LAMPS.

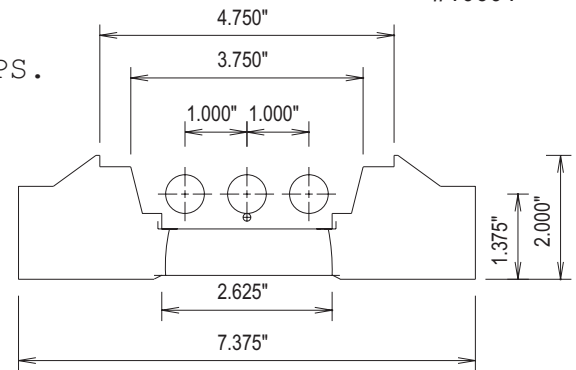
#10601

CANDELA DISTRIBUTION

	0.0	22.5	45.0	67.5	90.0
0	1813	1813	1813	1813	1813
5	1797	1790	1797	1784	1782
15	1647	1635	1629	1629	1638
25	1432	1401	1410	1461	1504
35	1169	1131	1184	1335	1469
45	883	864	1019	1204	1314
55	574	591	744	875	991
65	280	292	379	456	511
75	140	142	144	152	160
85	25	23	20	16	17
90	3	4	0	0	0
95	85	96	34	13	10
105	418	662	563	507	488
115	794	1176	1271	1190	1156
125	1132	1464	1813	1884	1878
135	1438	1682	2092	2277	2320
145	1693	1848	2143	2374	2460
155	1893	1971	2159	2284	2342
165	2034	2055	2138	2195	2224
175	2110	2114	2126	2127	2127
180	2125	2125	2125	2125	2125

FLUX

169
460
661
779
808
667
382
158
29
76
575
1136
1489
1529
1323
985
604
203



ZONAL LUMEN SUMMARY

ZONE	LUMENS	%LAMP	%FIXT
0- 30	1290	9.8	10.7
0- 40	2070	15.7	17.2
0- 60	3545	26.9	29.5
0- 90	4115	31.2	34.2
90-120	1788	13.5	14.9
90-130	3276	24.8	27.2
90-150	6128	46.4	50.9
90-180	7920	60.0	65.8
0-180	12034	91.2	100.0

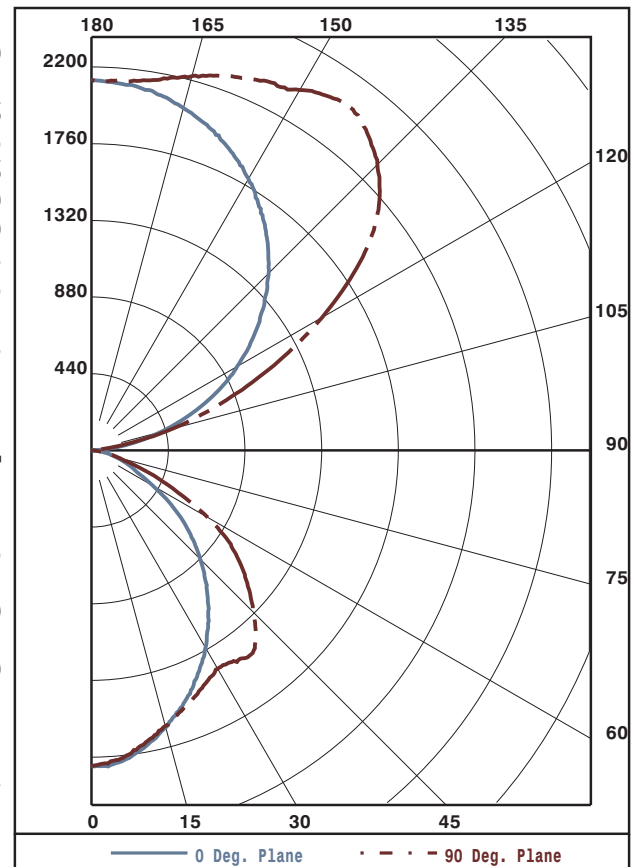
TOTAL LUMINAIRE EFFICIENCY: 91.2%

CIE TYPE: SEMI-INDIRECT

PLANE: 0-DEG 90-DEG

SPACING CRITERIA: 1.1 1.2

SHIELDING ANGLES: 28 23



Approved By: MG

**THIS REPORT BASED ON LM-41 AND OTHER PERTINENT IESNA PROCEDURES.**



LUMINAIRE TESTING LABORATORY, INC.

SUSTAINING MEMBER of the IESNA

905 Harrison Street · Allentown, PA 18103 · 610-770-1044 · Fax 610-770-8912 · www.LuminaireTesting.com

LTL NUMBER: 10601

DATE: 11-07-2006

PREPARED FOR: PRECISION ARCHITECTURAL LIGHTING

COEFFICIENTS OF UTILIZATION - ZONAL CAVITY METHOD
EFFECTIVE FLOOR CAVITY REFLECTANCE 0.20

Table with 17 columns (RC, RW, 80, 70, 50, 30, 10, 0) and 11 rows (0-10) showing utilization coefficients.

PLANE: 0-DEG 90-DEG
LUMINOUS LENGTH: 43.875 2.625

Table with 4 columns (ANGLE IN DEG, AVERAGE 0-DEG, AVERAGE 45-DEG, AVERAGE 90-DEG) and 6 rows (0-85) showing luminance values.



LUMINAIRE TESTING LABORATORY, INC.

SUSTAINING MEMBER of the IESNA

905 Harrison Street · Allentown, PA 18103 · 610-770-1044 · Fax 610-770-8912 · www.LuminaireTesting.com

LTL NUMBER: 10601
PREPARED FOR: PRECISION ARCHITECTURAL LIGHTING

DATE: 11-07-2006

CANDELA DISTRIBUTION

Table with 6 columns of candela values for various angles from 0 to 180 degrees.

ZONAL LUMEN SUMMARY

Table with 2 columns: Zonal range and Lumen value.

THIS TEST WAS CONDUCTED USING RELATIVE PHOTOMETRY TECHNIQUES ACCORDING TO STANDARD IESNA PROCEDURES. THE USER MUST THEREFORE USE CAUTION IN THE FOLLOWING SITUATIONS: 1) THIS TEST WAS PERFORMED USING A SPECIFIC BALLAST/LAMP COMBINATION. EXTRAPOLATION OF THESE DATA FOR OTHER BALLAST/LAMP COMBINATIONS MAY PRODUCE ERRONEOUS RESULTS. 2) ACCORDING TO IESNA PROCEDURES, THE BALLAST(S) AND LAMP(S) ARE PRESUMED TO PRODUCE 100% OF RATED OUTPUT. AN APPROPRIATE BALLAST FACTOR MUST BE APPLIED TO THE LUMEN OUTPUT RATINGS AND LUMINOUS INTENSITY VALUES GIVEN. 3) THIS TEST WAS CONDUCTED IN A CONTROLLED LABORATORY ENVIRONMENT WHERE THE AMBIENT TEMPERATURE WAS HELD AT 25°C ±1°C. FIELD PERFORMANCE MAY DIFFER PARTICULARLY IN REGARDS TO CHANGE IN LUMINOUS OUTPUT AS A RESULT OF DIFFERENCE IN AMBIENT TEMPERATURE AND METHOD OF MOUNTING THE LUMINAIRE.