



LUMINAIRE TESTING LABORATORY, INC.

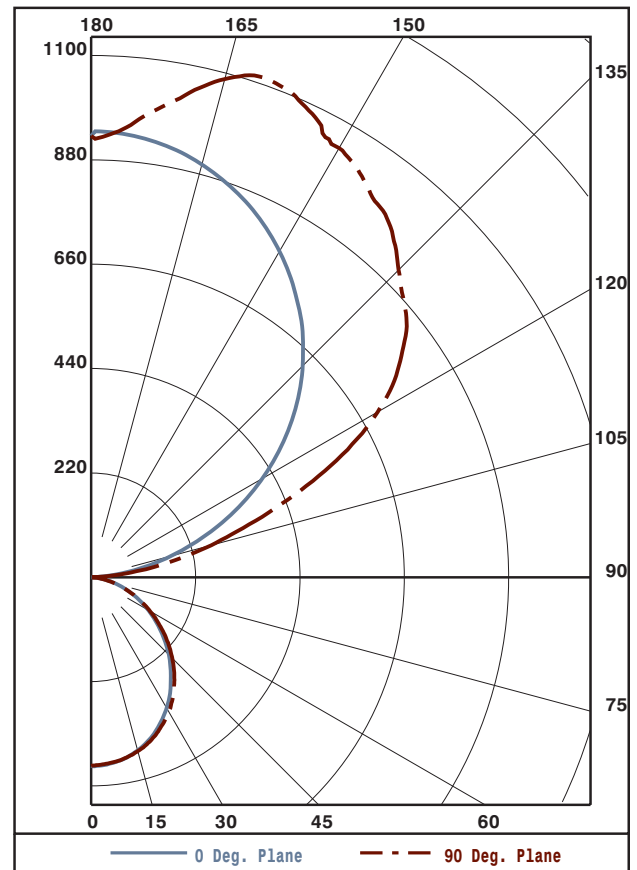
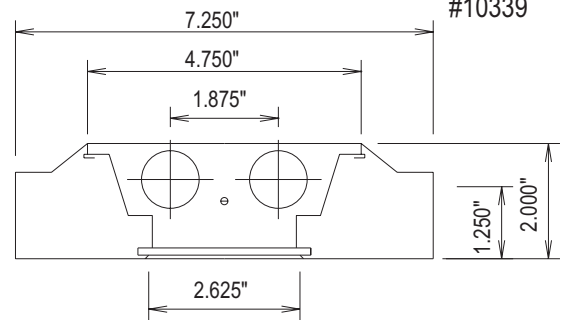
SUSTAINING
MEMBER
of the
IESNA

905 Harrison Street · Allentown, PA 18103 · 610-770-1044 · Fax 610-770-8912 · www.LuminaireTesting.com

LTL NUMBER: 10339 DATE: 09-20-2006
 PREPARED FOR: PRECISION ARCHITECTURAL LIGHTING
 CATALOG NUMBER: 0505S-02-R-4-OP/PRFP-X-120T8
 LUMINAIRE: EXTRUDED ALUMINUM HOUSING, FORMED SPECULAR ALUMINUM REFLECTORS, FROSTED PATTERNED ACRYLIC LOWER ENCLOSURE, OPEN TOP.
 LAMPS: TWO 32 WATT T8 LINEAR FLUORESCENT LAMPS RATED AT 2850 LUMENS EACH.
 LAMP CATALOG NUMBER: PHILIPS F32T8/TL830/ALTO
 BALLAST: ONE UNIVERSAL LIGHTING TECHNOLOGIES B232IUNV-C
 MOUNTING: PENDANT
 LUMEN TO CANDELA RATIO USED = 9.18
 TOTAL INPUT WATTS = 57.0 AT 120.0 VOLTS
 THE 0 DEGREE PLANE IS PARALLEL WITH THE LAMPS.

#10339

CANDELA DISTRIBUTION						FLUX
	0.0	22.5	45.0	67.5	90.0	
0	398	398	398	398	398	
5	396	395	396	394	394	38
15	378	377	380	379	379	107
25	342	342	346	347	348	159
35	291	292	298	300	302	185
45	231	233	238	241	242	183
55	169	170	174	175	176	155
65	111	111	113	112	112	110
75	56	55	55	54	53	59
85	14	13	12	10	10	14
90	1	1	1	2	2	
95	37	59	56	52	50	61
105	176	289	282	265	262	279
115	337	474	555	565	557	502
125	493	646	717	779	795	623
135	631	805	858	904	917	645
145	745	898	972	1003	1011	588
155	836	933	1057	1083	1086	465
165	901	942	1018	1072	1087	285
175	936	932	947	955	957	91
180	931	931	931	931	931	



ZONAL LUMEN SUMMARY			
ZONE	LUMENS	%LAMP	%FIXT
0- 30	303	5.3	6.7
0- 40	489	8.6	10.7
0- 60	827	14.5	18.2
0- 90	1010	17.7	22.2
90-120	843	14.8	18.5
90-130	1466	25.7	32.2
90-150	2699	47.3	59.3
90-180	3540	62.1	77.8
0-180	4549	79.8	100.0

TOTAL LUMINAIRE EFFICIENCY: 79.8%

CIE TYPE: SEMI-INDIRECT
 PLANE: 0-DEG 90-DEG
 SPACING CRITERIA: 1.2 1.2

Approved By: MG



LUMINAIRE TESTING LABORATORY, INC.

SUSTAINING MEMBER of the IESNA

905 Harrison Street · Allentown, PA 18103 · 610-770-1044 · Fax 610-770-8912 · www.LuminaireTesting.com

LTL NUMBER: 10339

DATE: 09-20-2006

PREPARED FOR: PRECISION ARCHITECTURAL LIGHTING

COEFFICIENTS OF UTILIZATION - ZONAL CAVITY METHOD
EFFECTIVE FLOOR CAVITY REFLECTANCE 0.20

Table with columns RC, RW, and rows for cavity ratios 0-10 and reflectance values 80, 70, 50, 30, 10, 0.

PLANE: 0-DEG 90-DEG
LUMINOUS LENGTH: 44.375 2.625

Table with columns ANGLE IN DEG, AVERAGE 0-DEG, AVERAGE 45-DEG, AVERAGE 90-DEG and rows for angles 0, 45, 55, 65, 75, 85.



LUMINAIRE TESTING LABORATORY, INC.

SUSTAINING MEMBER of the IESNA

905 Harrison Street · Allentown, PA 18103 · 610-770-1044 · Fax 610-770-8912 · www.LuminaireTesting.com

LTL NUMBER: 10339

DATE: 09-20-2006

PREPARED FOR: PRECISION ARCHITECTURAL LIGHTING

Table with columns: CANDELA DISTRIBUTION (0.0, 22.5, 45.0, 67.5, 90.0) and ZONAL LUMEN SUMMARY (0-5, 5-10, etc.).

THIS TEST WAS CONDUCTED USING RELATIVE PHOTOMETRY TECHNIQUES ACCORDING TO STANDARD IESNA PROCEDURES. THE USER MUST THEREFORE USE CAUTION IN THE FOLLOWING SITUATIONS: 1) THIS TEST WAS PERFORMED USING A SPECIFIC BALLAST/LAMP COMBINATION. EXTRAPOLATION OF THESE DATA FOR OTHER BALLAST/LAMP COMBINATIONS MAY PRODUCE ERRONEOUS RESULTS. 2) ACCORDING TO IESNA PROCEDURES, THE BALLAST(S) AND LAMP(S) ARE PRESUMED TO PRODUCE 100% OF RATED OUTPUT. AN APPROPRIATE BALLAST FACTOR MUST BE APPLIED TO THE LUMEN OUTPUT RATINGS AND LUMINOUS INTENSITY VALUES GIVEN. 3) THIS TEST WAS CONDUCTED IN A CONTROLLED LABORATORY ENVIRONMENT WHERE THE AMBIENT TEMPERATURE WAS HELD AT 25°C ±1°C. FIELD PERFORMANCE MAY DIFFER PARTICULARLY IN REGARDS TO CHANGE IN LUMINOUS OUTPUT AS A RESULT OF DIFFERENCE IN AMBIENT TEMPERATURE AND METHOD OF MOUNTING THE LUMINAIRE.