



# LUMINAIRE TESTING LABORATORY, INC.

SUSTAINING  
MEMBER  
of the  
IESNA

905 Harrison Street · Allentown, PA 18103 · 610-770-1044 · Fax 610-770-8912 · www.LuminaireTesting.com

LTL NUMBER: 10335

DATE: 09-20-2006

PREPARED FOR: PRECISION ARCHITECTURAL LIGHTING

CATALOG NUMBER: 0505S-02-C-4-OP/PB-X-120T8

LUMINAIRE: EXTRUDED ALUMINUM HOUSING, FORMED SPECULAR ALUMINUM REFLECTORS, 29 CELL, 3/4" DEEP, FORMED SEMI-SPECULAR ALUMINUM LOUVER, OPEN TOP.

LAMPS: TWO 32 WATT T8 LINEAR FLUORESCENT LAMPS RATED AT 2850 LUMENS EACH.

LAMP CATALOG NUMBER: PHILIPS F32T8/TL830/ALTO

BALLAST: ONE UNIVERSAL LIGHTING TECHNOLOGIES B232IUNV-C

MOUNTING: PENDANT

LUMEN TO CANDELA RATIO USED = 9.18

TOTAL INPUT WATTS = 58.7 AT 120.0 VOLTS

THE 0 DEGREE PLANE IS PARALLEL WITH THE LAMPS.

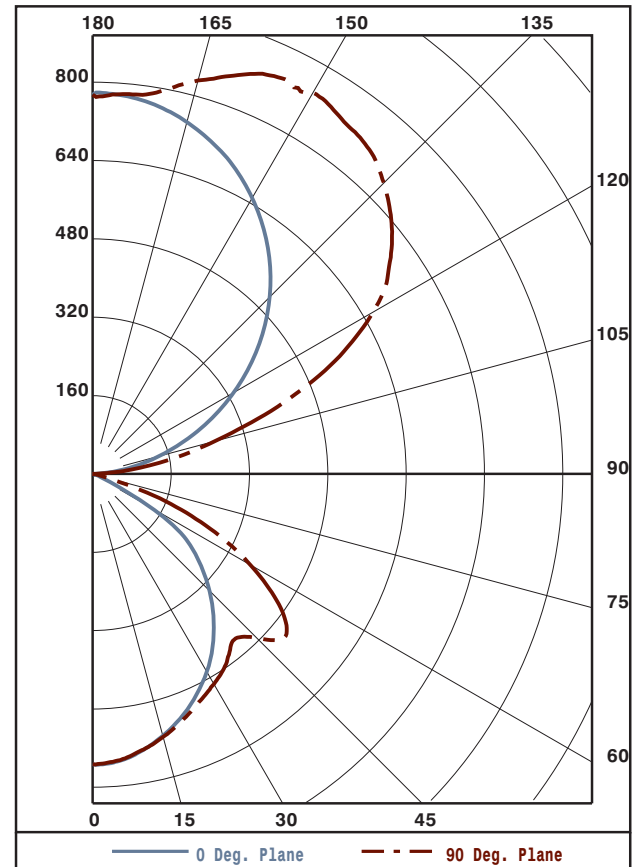
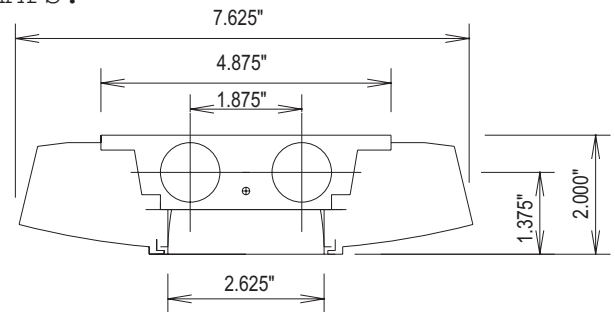
#10335

### CANDELA DISTRIBUTION

	0.0	22.5	45.0	67.5	90.0
0	593	593	593	593	593
5	589	588	591	587	588
15	554	551	553	554	556
25	499	492	495	504	514
35	428	419	433	456	475
45	338	335	370	417	473
55	233	252	335	417	464
65	39	62	153	218	266
75	6	8	10	20	29
85	0	0	0	2	2
90	0	1	1	1	2
95	33	60	58	55	53
105	140	270	286	263	258
115	267	420	520	546	546
125	395	542	656	718	739
135	511	630	752	820	841
145	609	684	810	870	886
155	688	723	810	875	894
165	744	754	787	821	832
175	775	773	779	780	779
180	775	775	775	775	775

### FLUX

56
156
231
275
297
298
148
20
2
63
270
466
556
488
369
223
74



### ZONAL LUMEN SUMMARY

ZONE	LUMENS	%LAMP	%FIXT
0- 30	443	7.8	9.7
0- 40	718	12.6	15.8
0- 60	1313	23.0	28.9
0- 90	1482	26.0	32.6
90-120	799	14.0	17.6
90-130	1355	23.8	29.8
90-150	2398	42.1	52.7
90-180	3065	53.8	67.4
0-180	4546	79.8	100.0

TOTAL LUMINAIRE EFFICIENCY: 79.8%  
 CIE TYPE: SEMI-INDIRECT  
 PLANE: 0-DEG 90-DEG  
 SPACING CRITERIA: 1.2 1.3  
 SHIELDING ANGLES: 30 21

Approved By: MG

THIS REPORT BASED ON LM-41 AND OTHER PERTINENT IESNA PROCEDURES.



LUMINAIRE TESTING LABORATORY, INC.

SUSTAINING MEMBER of the IESNA

905 Harrison Street · Allentown, PA 18103 · 610-770-1044 · Fax 610-770-8912 · www.LuminaireTesting.com

LTL NUMBER: 10335

DATE: 09-20-2006

PREPARED FOR: PRECISION ARCHITECTURAL LIGHTING

COEFFICIENTS OF UTILIZATION - ZONAL CAVITY METHOD
EFFECTIVE FLOOR CAVITY REFLECTANCE 0.20

Table with columns RC, RW, and rows for angles 0-10 degrees. Each row contains 18 numerical values representing utilization coefficients for different cavity reflectance levels (80, 70, 50, 30, 10, 0).

PLANE: 0-DEG 90-DEG
LUMINOUS LENGTH: 43.875 2.625

LUMINANCE IN CANDELA PER SQUARE METER

Table with columns ANGLE IN DEG, AVERAGE 0-DEG, AVERAGE 45-DEG, AVERAGE 90-DEG. Rows show average luminance values for angles 0, 45, 55, 65, 75, and 85 degrees.



LUMINAIRE TESTING LABORATORY, INC.

SUSTAINING MEMBER of the IESNA

905 Harrison Street · Allentown, PA 18103 · 610-770-1044 · Fax 610-770-8912 · www.LuminaireTesting.com

LTL NUMBER: 10335
PREPARED FOR: PRECISION ARCHITECTURAL LIGHTING

DATE: 09-20-2006

Table with columns: CANDELA DISTRIBUTION (0.0, 22.5, 45.0, 67.5, 90.0) and ZONAL LUMEN SUMMARY (0-5, 5-10, etc.).

THIS TEST WAS CONDUCTED USING RELATIVE PHOTOMETRY TECHNIQUES ACCORDING TO STANDARD IESNA PROCEDURES. THE USER MUST THEREFORE USE CAUTION IN THE FOLLOWING SITUATIONS: 1) THIS TEST WAS PERFORMED USING A SPECIFIC BALLAST/LAMP COMBINATION. EXTRAPOLATION OF THESE DATA FOR OTHER BALLAST/LAMP COMBINATIONS MAY PRODUCE ERRONEOUS RESULTS. 2) ACCORDING TO IESNA PROCEDURES, THE BALLAST(S) AND LAMP(S) ARE PRESUMED TO PRODUCE 100% OF RATED OUTPUT. AN APPROPRIATE BALLAST FACTOR MUST BE APPLIED TO THE LUMEN OUTPUT RATINGS AND LUMINOUS INTENSITY VALUES GIVEN. 3) THIS TEST WAS CONDUCTED IN A CONTROLLED LABORATORY ENVIRONMENT WHERE THE AMBIENT TEMPERATURE WAS HELD AT 25°C ±1°C. FIELD PERFORMANCE MAY DIFFER PARTICULARLY IN REGARDS TO CHANGE IN LUMINOUS OUTPUT AS A RESULT OF DIFFERENCE IN AMBIENT TEMPERATURE AND METHOD OF MOUNTING THE LUMINAIRE.