



LUMINAIRE TESTING LABORATORY, INC.

SUSTAINING
MEMBER
of the
IESNA

905 Harrison Street · Allentown, PA 18103 · 610-770-1044 · Fax 610-770-8912 · www.LuminaireTesting.com

LTL NUMBER: 10333

DATE: 09-20-2006

PREPARED FOR: PRECISION ARCHITECTURAL LIGHTING

CATALOG NUMBER: 0505S-02-C-4-OP/PBW-X-120T5HO

LUMINAIRE: EXTRUDED ALUMINUM HOUSING, FORMED SPECULAR ALUMINUM REFLECTORS, 29 CELL, 3/4" DEEP, FORMED WHITE ENAMEL ALUMINUM LOUVER, OPEN TOP.

LAMPS: TWO 54 WATT HIGH OUTPUT T5 LINEAR FLUORESCENT LAMPS RATED AT 4400 LUMENS EACH.

LAMP CATALOG NUMBER: PHILIPS F54T5/841/HO/ALTO

BALLAST: ONE UNIVERSAL LIGHTING TECHNOLOGIES B254PUNV-D

MOUNTING: PENDANT

LUMEN TO CANDELA RATIO USED = 9.18

TOTAL INPUT WATTS =117.8 AT 120.0 VOLTS

THE 0 DEGREE PLANE IS PARALLEL WITH THE LAMPS.

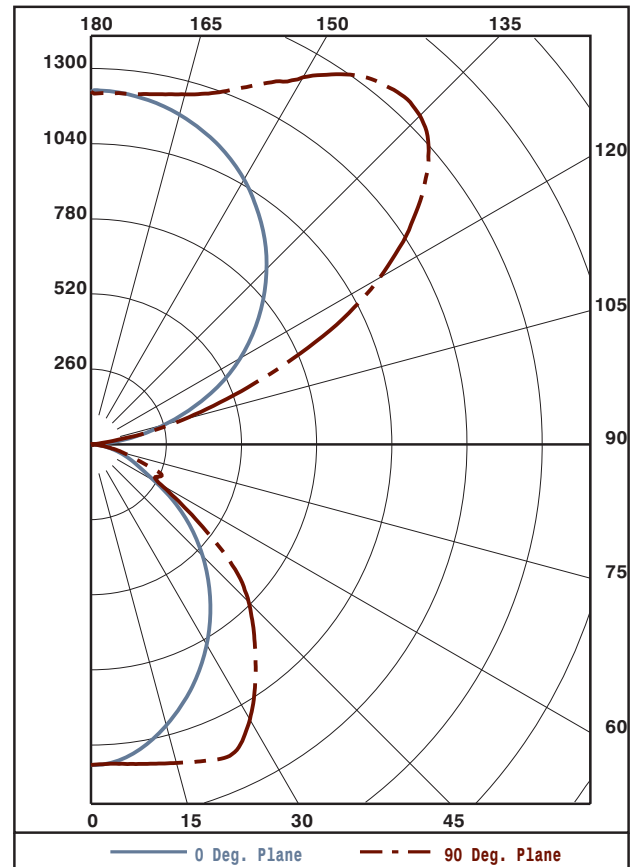
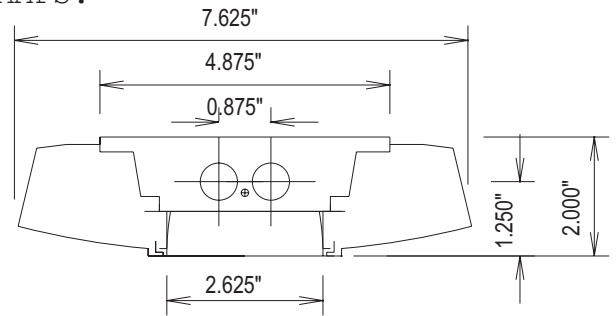
#10333

CANDELA DISTRIBUTION

	0.0	22.5	45.0	67.5	90.0
0	1109	1109	1109	1109	1109
5	1098	1098	1108	1106	1109
15	1006	1022	1074	1118	1141
25	875	914	1016	1125	1175
35	719	782	908	949	991
45	545	629	679	718	770
55	356	419	449	430	425
65	183	193	215	220	263
75	95	96	99	110	119
85	22	20	19	18	17
90	1	1	1	1	1
95	62	64	22	5	4
105	264	486	412	347	329
115	492	819	930	908	884
125	689	937	1271	1350	1361
135	858	1009	1359	1549	1608
145	999	1076	1294	1489	1561
155	1108	1141	1231	1330	1374
165	1181	1189	1221	1243	1253
175	1219	1215	1223	1220	1218
180	1220	1220	1220	1220	1220

FLUX

105
303
469
546
517
378
215
110
23
52
409
822
1022
993
806
573
345
116



ZONAL LUMEN SUMMARY

ZONE	LUMENS	%LAMP	%FIXT
0- 30	877	10.0	11.2
0- 40	1423	16.2	18.2
0- 60	2318	26.3	29.7
0- 90	2667	30.3	34.2
90-120	1283	14.6	16.4
90-130	2305	26.2	29.5
90-150	4104	46.6	52.6
90-180	5138	58.4	65.8
0-180	7805	88.7	100.0

TOTAL LUMINAIRE EFFICIENCY: 88.7%
 CIE TYPE: SEMI-INDIRECT
 PLANE: 0-DEG 90-DEG
 SPACING CRITERIA: 1.1 1.4
 SHIELDING ANGLES: 30 28

Approved By: MG



LTL NUMBER: 10333

DATE: 09-20-2006

PREPARED FOR: PRECISION ARCHITECTURAL LIGHTING

COEFFICIENTS OF UTILIZATION - ZONAL CAVITY METHOD
EFFECTIVE FLOOR CAVITY REFLECTANCE 0.20

Table with columns for RC, RW, and various reflectance values (80, 70, 50, 30, 10, 0) for rows 0 through 10.

PLANE: 0-DEG 90-DEG
LUMINOUS LENGTH: 43.875 2.625

LUMINANCE IN CANDELA PER SQUARE METER

Table with columns for ANGLE IN DEG, AVERAGE 0-DEG, AVERAGE 45-DEG, and AVERAGE 90-DEG for angles 0, 45, 55, 65, 75, and 85.



LUMINAIRE TESTING LABORATORY, INC.

SUSTAINING MEMBER of the IESNA

905 Harrison Street · Allentown, PA 18103 · 610-770-1044 · Fax 610-770-8912 · www.LuminaireTesting.com

LTL NUMBER: 10333

DATE: 09-20-2006

PREPARED FOR: PRECISION ARCHITECTURAL LIGHTING

CANDELA DISTRIBUTION

Table with 6 columns of candela values for various angles from 0 to 180 degrees.

ZONAL LUMEN SUMMARY

Table with 2 columns: Zonal Lumen range and corresponding lumen value.

THIS TEST WAS CONDUCTED USING RELATIVE PHOTOMETRY TECHNIQUES ACCORDING TO STANDARD IESNA PROCEDURES. THE USER MUST THEREFORE USE CAUTION IN THE FOLLOWING SITUATIONS: 1) THIS TEST WAS PERFORMED USING A SPECIFIC BALLAST/LAMP COMBINATION. EXTRAPOLATION OF THESE DATA FOR OTHER BALLAST/LAMP COMBINATIONS MAY PRODUCE ERRONEOUS RESULTS. 2) ACCORDING TO IESNA PROCEDURES, THE BALLAST(S) AND LAMP(S) ARE PRESUMED TO PRODUCE 100% OF RATED OUTPUT. AN APPROPRIATE BALLAST FACTOR MUST BE APPLIED TO THE LUMEN OUTPUT RATINGS AND LUMINOUS INTENSITY VALUES GIVEN. 3) THIS TEST WAS CONDUCTED IN A CONTROLLED LABORATORY ENVIRONMENT WHERE THE AMBIENT TEMPERATURE WAS HELD AT 25°C ±1°C. FIELD PERFORMANCE MAY DIFFER PARTICULARLY IN REGARDS TO CHANGE IN LUMINOUS OUTPUT AS A RESULT OF DIFFERENCE IN AMBIENT TEMPERATURE AND METHOD OF MOUNTING THE LUMINAIRE.