



LUMINAIRE TESTING LABORATORY, INC.

SUSTAINING
MEMBER
of the
IESNA

905 Harrison Street · Allentown, PA 18103 · 610-770-1044 · Fax 610-770-8912 · www.LuminaireTesting.com

LTL NUMBER: 10337
 PREPARED FOR: PRECISION ARCHITECTURAL LIGHTING
 CATALOG NUMBER: 0505S-01-R-4-OP/PRFP-X-120T5HO
 LUMINAIRE: EXTRUDED ALUMINUM HOUSING, FORMED SPECULAR ALUMINUM REFLECTORS, FROSTED PATTERNED ACRYLIC LOWER ENCLOSURE, OPEN TOP.
 LAMP: ONE 54 WATT HIGH OUTPUT T5 LINEAR FLUORESCENT LAMP RATED AT 4400 LUMENS.
 LAMP CATALOG NUMBER: PHILIPS F54T5/841/HO/ALTO
 BALLAST: ONE UNIVERSAL LIGHTING TECHNOLOGIES B254PUNV-D
 MOUNTING: PENDANT

DATE: 09-20-2006

LUMEN TO CANDELA RATIO USED = 9.18
 TOTAL INPUT WATTS = 59.2 AT 120.0 VOLTS
 THE 0 DEGREE PLANE IS PARALLEL WITH THE LAMPS.

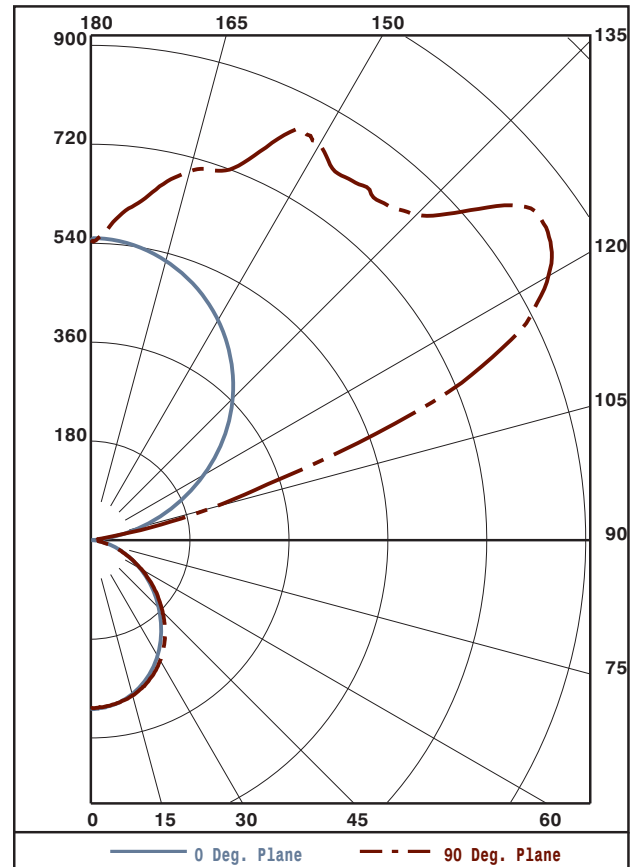
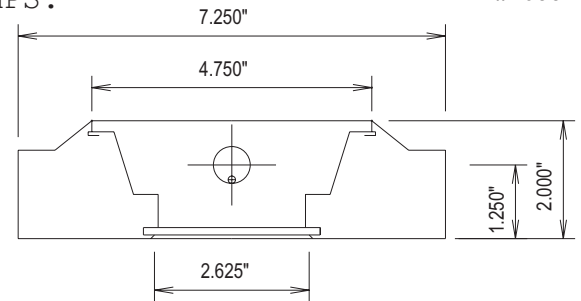
#10337

CANDELA DISTRIBUTION

	0.0	22.5	45.0	67.5	90.0
0	306	306	306	306	306
5	305	305	306	304	304
15	290	290	292	292	292
25	261	262	267	268	269
35	221	224	228	231	232
45	175	177	181	183	184
55	127	129	131	132	133
65	81	82	83	81	81
75	41	41	40	38	38
85	11	10	9	7	7
90	1	1	1	1	1
95	21	35	9	11	12
105	97	338	365	251	229
115	190	392	708	815	824
125	282	494	668	932	1005
135	364	533	687	785	837
145	433	574	753	785	806
155	487	587	674	755	806
165	526	581	643	682	695
175	547	555	577	588	592
180	545	545	545	545	545

FLUX

29
82
122
142
139
117
81
42
10
30
296
590
610
507
428
309
178
55



ZONAL LUMEN SUMMARY

ZONE	LUMENS	%LAMP	%FIXT
0- 30	233	5.3	6.2
0- 40	376	8.5	10.0
0- 60	632	14.4	16.8
0- 90	765	17.4	20.3
90-120	917	20.8	24.3
90-130	1526	34.7	40.5
90-150	2462	56.0	65.3
90-180	3005	68.3	79.7
0-180	3770	85.7	100.0

TOTAL LUMINAIRE EFFICIENCY: 85.7%
 CIE TYPE: SEMI-INDIRECT
 PLANE: 0-DEG 90-DEG
 SPACING CRITERIA: 1.2 1.2

Approved By: MG



LUMINAIRE TESTING LABORATORY, INC.

SUSTAINING MEMBER of the IESNA

905 Harrison Street · Allentown, PA 18103 · 610-770-1044 · Fax 610-770-8912 · www.LuminaireTesting.com

LTL NUMBER: 10337

DATE: 09-20-2006

PREPARED FOR: PRECISION ARCHITECTURAL LIGHTING

COEFFICIENTS OF UTILIZATION - ZONAL CAVITY METHOD
EFFECTIVE FLOOR CAVITY REFLECTANCE 0.20

Table with columns RC, RW, and rows for angles 0-10 and reflectance values 80, 70, 50, 30, 10, 0.

PLANE: 0-DEG 90-DEG
LUMINOUS LENGTH: 44.375 2.625

Table with columns ANGLE IN DEG, AVERAGE 0-DEG, AVERAGE 45-DEG, AVERAGE 90-DEG.



LUMINAIRE TESTING LABORATORY, INC.

SUSTAINING MEMBER of the IESNA

905 Harrison Street · Allentown, PA 18103 · 610-770-1044 · Fax 610-770-8912 · www.LuminaireTesting.com

LTL NUMBER: 10337

DATE: 09-20-2006

PREPARED FOR: PRECISION ARCHITECTURAL LIGHTING

CANDELA DISTRIBUTION

Table with 6 columns of candela values for angles 0.0, 22.5, 45.0, 67.5, 90.0. Values range from 1 to 545.

ZONAL LUMEN SUMMARY

Table with 2 columns: Zonal angle ranges (e.g., 0-5, 5-10) and corresponding Lumen values (e.g., 7, 22).

THIS TEST WAS CONDUCTED USING RELATIVE PHOTOMETRY TECHNIQUES ACCORDING TO STANDARD IESNA PROCEDURES. THE USER MUST THEREFORE USE CAUTION IN THE FOLLOWING SITUATIONS: 1) THIS TEST WAS PERFORMED USING A SPECIFIC BALLAST/LAMP COMBINATION. EXTRAPOLATION OF THESE DATA FOR OTHER BALLAST/LAMP COMBINATIONS MAY PRODUCE ERRONEOUS RESULTS. 2) ACCORDING TO IESNA PROCEDURES, THE BALLAST(S) AND LAMP(S) ARE PRESUMED TO PRODUCE 100% OF RATED OUTPUT. AN APPROPRIATE BALLAST FACTOR MUST BE APPLIED TO THE LUMEN OUTPUT RATINGS AND LUMINOUS INTENSITY VALUES GIVEN. 3) THIS TEST WAS CONDUCTED IN A CONTROLLED LABORATORY ENVIRONMENT WHERE THE AMBIENT TEMPERATURE WAS HELD AT 25°C ±1°C. FIELD PERFORMANCE MAY DIFFER PARTICULARLY IN REGARDS TO CHANGE IN LUMINOUS OUTPUT AS A RESULT OF DIFFERENCE IN AMBIENT TEMPERATURE AND METHOD OF MOUNTING THE LUMINAIRE.