



LUMINAIRE TESTING LABORATORY, INC.

SUSTAINING
MEMBER
of the
IESNA

905 Harrison Street · Allentown, PA 18103 · 610-770-1044 · Fax 610-770-8912 · www.LuminaireTesting.com

LTL NUMBER: 10331

DATE: 09-19-2006

PREPARED FOR: PRECISION ARCHITECTURAL LIGHTING

CATALOG NUMBER: 0505S-01-C-4-OP/PB-X-120T5HO

LUMINAIRE: EXTRUDED ALUMINUM HOUSING, FORMED SPECULAR ALUMINUM REFLECTORS, 29 CELL, 3/4" DEEP, FORMED SEMI-SPECULAR ALUMINUM LOUVER, OPEN TOP.

LAMP: ONE 54 WATT HIGH OUTPUT T5 LINEAR FLUORESCENT LAMP RATED AT 4400 LUMENS.

LAMP CATALOG NUMBER: PHILIPS F54T5/841/HO/ALTO

BALLAST: ONE UNIVERSAL LIGHTING TECHNOLOGIES B254PUNV-D

MOUNTING: PENDANT

LUMEN TO CANDELA RATIO USED = 9.18

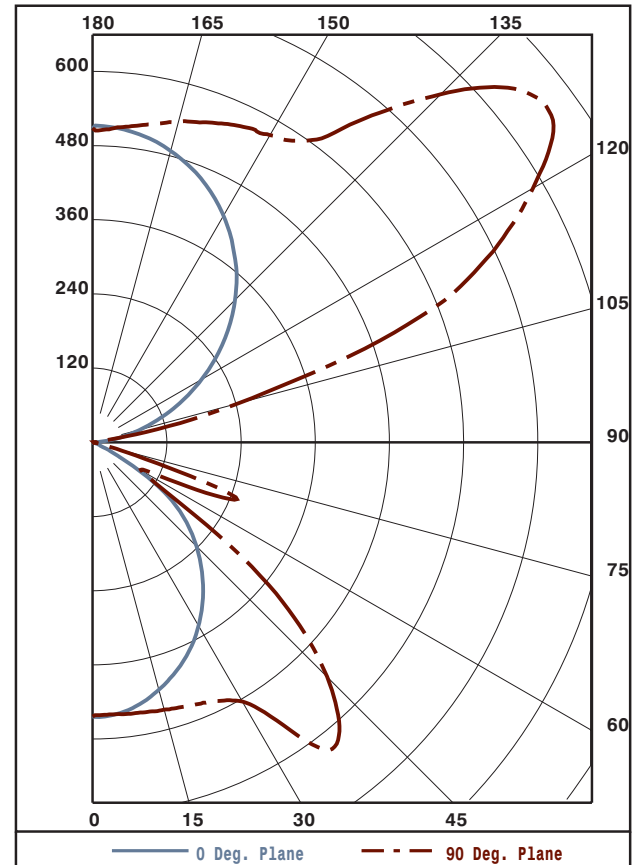
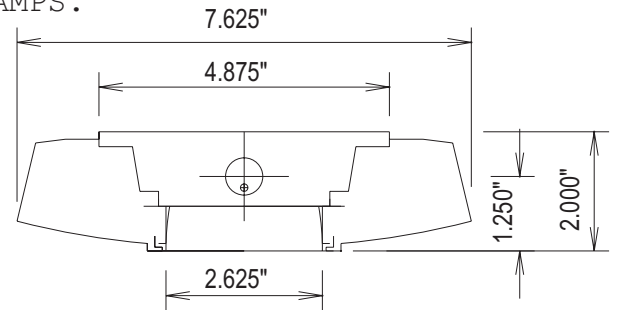
TOTAL INPUT WATTS = 58.6 AT 120.0 VOLTS

THE 0 DEGREE PLANE IS PARALLEL WITH THE LAMPS.

#10331

CANDELA DISTRIBUTION

	0.0	22.5	45.0	67.5	90.0	FLUX
0	443	443	443	443	443	42
5	441	440	443	442	442	122
15	414	418	432	443	448	192
25	371	382	414	446	463	265
35	310	336	400	498	579	310
45	237	286	438	513	536	200
55	143	233	277	222	179	90
65	22	45	86	123	168	21
75	5	6	10	20	34	2
85	1	2	2	2	3	31
90	1	1	1	1	1	288
95	20	42	8	10	11	506
105	80	302	362	271	245	527
115	161	320	618	688	703	420
125	245	335	614	846	909	315
135	326	388	504	708	796	236
145	394	435	508	565	595	146
155	449	471	515	550	564	49
165	488	495	516	531	537	
175	509	506	511	513	512	
180	508	508	508	508	508	



ZONAL LUMEN SUMMARY

ZONE	LUMENS	% LAMP	% FIXT
0- 30	356	8.1	9.5
0- 40	621	14.1	16.5
0- 60	1131	25.7	30.1
0- 90	1244	28.3	33.1
90-120	825	18.8	21.9
90-130	1352	30.7	35.9
90-150	2088	47.5	55.5
90-180	2519	57.2	66.9
0-180	3762	85.5	100.0

TOTAL LUMINAIRE EFFICIENCY: 85.5%
 CIE TYPE: SEMI-INDIRECT
 PLANE: 0-DEG 90-DEG
 SPACING CRITERIA: 1.2 1.9
 SHIELDING ANGLES: 28 35

Approved By: MG



LUMINAIRE TESTING LABORATORY, INC.

SUSTAINING MEMBER of the IESNA

905 Harrison Street · Allentown, PA 18103 · 610-770-1044 · Fax 610-770-8912 · www.LuminaireTesting.com

LTL NUMBER: 10331

DATE: 09-19-2006

PREPARED FOR: PRECISION ARCHITECTURAL LIGHTING

COEFFICIENTS OF UTILIZATION - ZONAL CAVITY METHOD
EFFECTIVE FLOOR CAVITY REFLECTANCE 0.20

Table with 19 columns (RC, RW, 80, 70, 50, 30, 10, 0) and 11 rows of utilization coefficients.

PLANE: 0-DEG 90-DEG
LUMINOUS LENGTH: 43.875 2.625

LUMINANCE IN CANDELA PER SQUARE METER

Table with 4 columns (ANGLE IN DEG, AVERAGE 0-DEG, AVERAGE 45-DEG, AVERAGE 90-DEG) and 6 rows of luminance values.



LUMINAIRE TESTING LABORATORY, INC.

SUSTAINING MEMBER of the IESNA

905 Harrison Street · Allentown, PA 18103 · 610-770-1044 · Fax 610-770-8912 · www.LuminaireTesting.com

LTL NUMBER: 10331

DATE: 09-19-2006

PREPARED FOR: PRECISION ARCHITECTURAL LIGHTING

CANDELA DISTRIBUTION

Table with 6 columns: Candela values at 0.0, 22.5, 45.0, 67.5, 90.0 degrees for various heights from 0 to 180.

ZONAL LUMEN SUMMARY

Table with 2 columns: Zonal height ranges (e.g., 0-5, 5-10) and corresponding lumen values.

THIS TEST WAS CONDUCTED USING RELATIVE PHOTOMETRY TECHNIQUES ACCORDING TO STANDARD IESNA PROCEDURES. THE USER MUST THEREFORE USE CAUTION IN THE FOLLOWING SITUATIONS: 1) THIS TEST WAS PERFORMED USING A SPECIFIC BALLAST/LAMP COMBINATION. EXTRAPOLATION OF THESE DATA FOR OTHER BALLAST/LAMP COMBINATIONS MAY PRODUCE ERRONEOUS RESULTS. 2) ACCORDING TO IESNA PROCEDURES, THE BALLAST(S) AND LAMP(S) ARE PRESUMED TO PRODUCE 100% OF RATED OUTPUT. AN APPROPRIATE BALLAST FACTOR MUST BE APPLIED TO THE LUMEN OUTPUT RATINGS AND LUMINOUS INTENSITY VALUES GIVEN. 3) THIS TEST WAS CONDUCTED IN A CONTROLLED LABORATORY ENVIRONMENT WHERE THE AMBIENT TEMPERATURE WAS HELD AT 25°C ±1°C. FIELD PERFORMANCE MAY DIFFER PARTICULARLY IN REGARDS TO CHANGE IN LUMINOUS OUTPUT AS A RESULT OF DIFFERENCE IN AMBIENT TEMPERATURE AND METHOD OF MOUNTING THE LUMINAIRE.