



LUMINAIRE TESTING LABORATORY, INC.

SUSTAINING
MEMBER
of the
IESNA

905 Harrison Street · Allentown, PA 18103 · 610-770-1044 · Fax 610-770-8912 · www.LuminaireTesting.com

LTL NUMBER: 10332

DATE: 09-19-2006

PREPARED FOR: PRECISION ARCHITECTURAL LIGHTING

CATALOG NUMBER: 0505S-01-C-4-OP/PBW-X-120T5HO

LUMINAIRE: EXTRUDED ALUMINUM HOUSING, FORMED SPECULAR ALUMINUM REFLECTORS, 29 CELL, 3/4" DEEP, FORMED WHITE ENAMEL ALUMINUM LOUVER, OPEN TOP.

LAMP: ONE 54 WATT HIGH OUTPUT T5 LINEAR FLUORESCENT LAMP RATED AT 4400 LUMENS.

LAMP CATALOG NUMBER: PHILIPS F54T5/841/HO/ALTO

BALLAST: ONE UNIVERSAL LIGHTING TECHNOLOGIES B254PUNV-D

MOUNTING: PENDANT

LUMEN TO CANDELA RATIO USED = 9.18

TOTAL INPUT WATTS = 58.6 AT 120.0 VOLTS

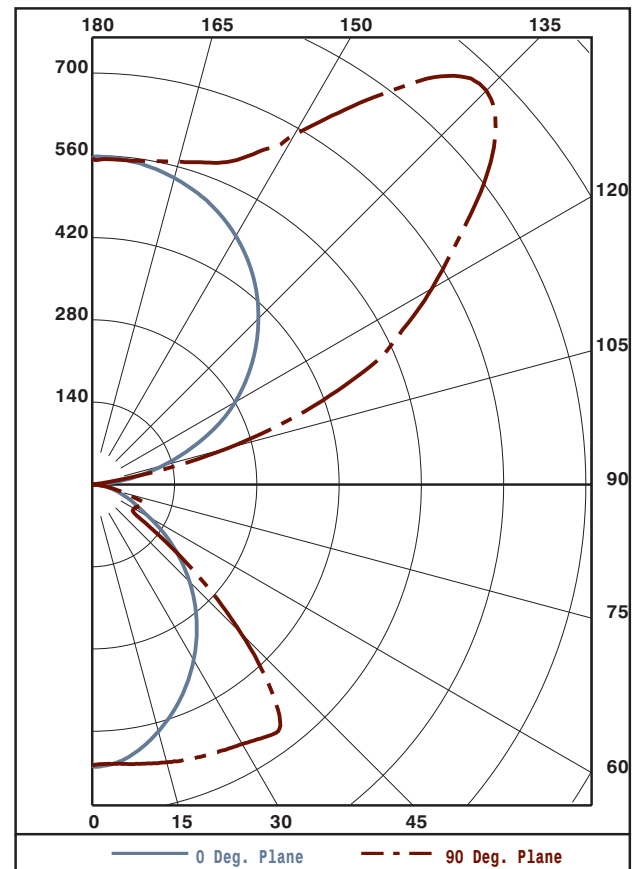
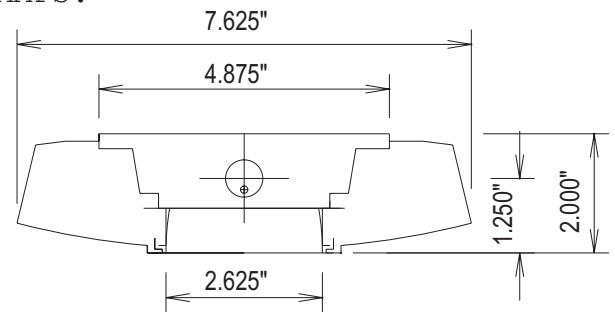
THE 0 DEGREE PLANE IS PARALLEL WITH THE LAMPS.

#10332

CANDELA DISTRIBUTION

| | 0.0 | 22.5 | 45.0 | 67.5 | 90.0 | FLUX |
|-----|-----|------|------|------|------|------|
| 0 | 479 | 479 | 479 | 479 | 479 | 45 |
| 5 | 476 | 475 | 479 | 477 | 478 | 131 |
| 15 | 435 | 441 | 463 | 481 | 490 | 201 |
| 25 | 378 | 392 | 434 | 478 | 503 | 253 |
| 35 | 309 | 333 | 395 | 472 | 522 | 244 |
| 45 | 234 | 265 | 348 | 365 | 357 | 147 |
| 55 | 153 | 185 | 202 | 130 | 93 | 86 |
| 65 | 82 | 86 | 83 | 84 | 87 | 51 |
| 75 | 42 | 42 | 45 | 52 | 58 | 10 |
| 85 | 10 | 9 | 9 | 8 | 8 | 27 |
| 90 | 0 | 0 | 0 | 0 | 0 | 264 |
| 95 | 32 | 41 | 2 | 3 | 3 | 479 |
| 105 | 126 | 281 | 290 | 255 | 238 | 562 |
| 115 | 232 | 452 | 540 | 551 | 561 | 524 |
| 125 | 323 | 443 | 744 | 784 | 778 | 384 |
| 135 | 400 | 459 | 695 | 898 | 948 | 259 |
| 145 | 463 | 493 | 586 | 730 | 792 | 157 |
| 155 | 510 | 522 | 558 | 592 | 615 | 53 |
| 165 | 540 | 542 | 556 | 564 | 569 | |
| 175 | 556 | 553 | 558 | 556 | 555 | |
| 180 | 555 | 555 | 555 | 555 | 555 | |

FLUX



ZONAL LUMEN SUMMARY

| ZONE | LUMENS | %LAMP | %FIXT |
|--------|--------|-------|-------|
| 0- 30 | 377 | 8.6 | 9.7 |
| 0- 40 | 630 | 14.3 | 16.3 |
| 0- 60 | 1021 | 23.2 | 26.3 |
| 0- 90 | 1168 | 26.5 | 30.1 |
| 90-120 | 770 | 17.5 | 19.9 |
| 90-130 | 1332 | 30.3 | 34.4 |
| 90-150 | 2241 | 50.9 | 57.8 |
| 90-180 | 2711 | 61.6 | 69.9 |
| 0-180 | 3879 | 88.2 | 100.0 |

TOTAL LUMINAIRE EFFICIENCY: 88.2%

CIE TYPE: SEMI-INDIRECT

PLANE: 0-DEG 90-DEG

SPACING CRITERIA: 1.1 1.6

SHIELDING ANGLES: 28 35

Approved By: MG

THIS REPORT BASED ON LM-41 AND OTHER PERTINENT IESNA PROCEDURES.



LTL NUMBER: 10332

DATE: 09-19-2006

PREPARED FOR: PRECISION ARCHITECTURAL LIGHTING

COEFFICIENTS OF UTILIZATION - ZONAL CAVITY METHOD
EFFECTIVE FLOOR CAVITY REFLECTANCE 0.20

Table with 19 columns (RC, RW, and 17 numerical values) and 11 rows (0-10).

PLANE: 0-DEG 90-DEG
LUMINOUS LENGTH: 43.875 2.625

LUMINANCE IN CANDELA PER SQUARE METER

Table with 4 columns (ANGLE IN DEG, AVERAGE 0-DEG, AVERAGE 45-DEG, AVERAGE 90-DEG) and 6 rows (0, 45, 55, 65, 75, 85).



LUMINAIRE TESTING LABORATORY, INC.

SUSTAINING MEMBER of the IESNA

905 Harrison Street · Allentown, PA 18103 · 610-770-1044 · Fax 610-770-8912 · www.LuminaireTesting.com

LTL NUMBER: 10332

DATE: 09-19-2006

PREPARED FOR: PRECISION ARCHITECTURAL LIGHTING

CANDELA DISTRIBUTION

Table with 6 columns of candela values for various angles from 0 to 180 degrees.

ZONAL LUMEN SUMMARY

Table with 2 columns: Zonal angle ranges and corresponding lumen values.

THIS TEST WAS CONDUCTED USING RELATIVE PHOTOMETRY TECHNIQUES ACCORDING TO STANDARD IESNA PROCEDURES. THE USER MUST THEREFORE USE CAUTION IN THE FOLLOWING SITUATIONS: 1) THIS TEST WAS PERFORMED USING A SPECIFIC BALLAST/LAMP COMBINATION. EXTRAPOLATION OF THESE DATA FOR OTHER BALLAST/LAMP COMBINATIONS MAY PRODUCE ERRONEOUS RESULTS. 2) ACCORDING TO IESNA PROCEDURES, THE BALLAST(S) AND LAMP(S) ARE PRESUMED TO PRODUCE 100% OF RATED OUTPUT. AN APPROPRIATE BALLAST FACTOR MUST BE APPLIED TO THE LUMEN OUTPUT RATINGS AND LUMINOUS INTENSITY VALUES GIVEN. 3) THIS TEST WAS CONDUCTED IN A CONTROLLED LABORATORY ENVIRONMENT WHERE THE AMBIENT TEMPERATURE WAS HELD AT 25°C ±1°C. FIELD PERFORMANCE MAY DIFFER PARTICULARLY IN REGARDS TO CHANGE IN LUMINOUS OUTPUT AS A RESULT OF DIFFERENCE IN AMBIENT TEMPERATURE AND METHOD OF MOUNTING THE LUMINAIRE.