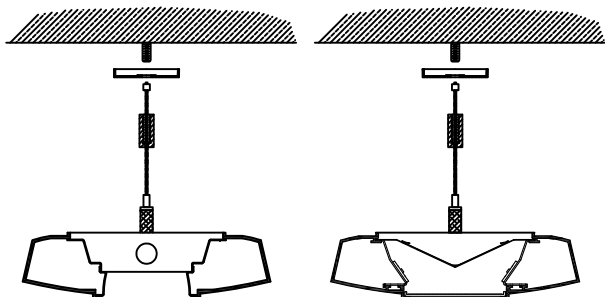


DELGADA CURVED FLUORESCENT & LED SUSPENDED SAFETY AND INSTALLATION INSTRUCTIONS

CAUTION:

- * BE CERTAIN THAT POWER TO FIELD WIRING HAS BEEN TURNED OFF PRIOR TO INSTALLATION.
- * CONNECTIONS TO FIELD WIRES AND GROUNDING OF FIXTURES MUST BE DONE IN ACCORDANCE WITH APPLICABLE LOCAL & NATIONAL CODES. INSTALLATION MUST BE PERFORMED BY QUALIFIED PERSONNEL.
- * IT IS INSTALLERS RESPONSIBILITY TO ENSURE THAT MOUNTING SURFACE IS STRUCTURALLY CAPABLE OF SUPPORTING WEIGHT OF FIXTURE .
- * BE CERTAIN THAT SUPPLY VOLTAGE IS THE SAME AS THAT MARKED ON BALLASTS, TRANSFORMERS AND DRIVERS.

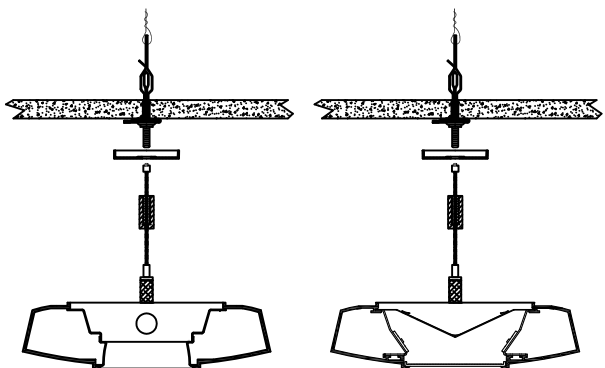
SINGLE FIXTURE INSTALLATION



CABLE MOUNT 'OFF GRID' (CN)

DELGADA SUSPENDED FIXTURES INTENDED FOR 'OFF-GRID' CABLE MOUNTING ARE TO BE INSTALLED WITH AC7000 OR AFC7000 SERIES CABLE ASSEMBLIES. CABLE ASSEMBLIES ARE SEPARATELY SHIPPED & ARE PROVIDED WITH INSTALLATION INSTRUCTIONS.

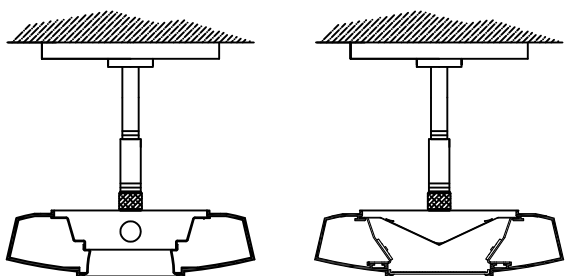
SEE INSTALLATION INSTRUCTION SHEET # 3750075



CABLE MOUNT "ON GRID' (CT)

DELGADA SUSPENDED FIXTURES INTENDED FOR 'T-BAR' CABLE MOUNTING ARE TO BE INSTALLED WITH AC4000 OR AFC4000 SERIES CABLE ASSEMBLIES. CABLE ASSEMBLIES ARE SEPARATELY SHIPPED & ARE PROVIDED WITH INSTALLATION INSTRUCTIONS.

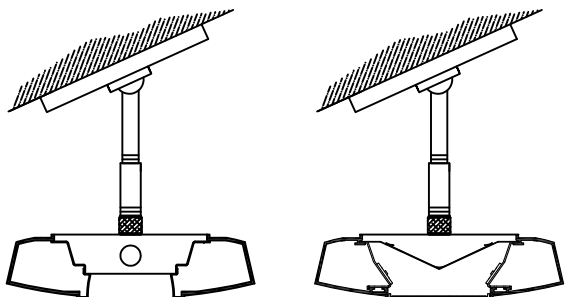
SEE INSTALLATION INSTRUCTION SHEET # 3750058



RIGID STEM MOUNT (P)

DELGADA SUSPENDED FIXTURES INTENDED FOR STEM MOUNTING ARE TO BE INSTALLED WITH P200 OR P201 STEM ASSEMBLIES. STEM ASSEMBLIES ARE SEPARATELY SHIPPED & ARE PROVIDED WITH INSTALLATION INSTRUCTIONS. (NOT FOR USE WITH PATTERNS)

SEE INSTALLATION INSTRUCTION SHEET # 3750080



SWIVEL STEM MOUNT (K)

DELGADA SUSPENDED FIXTURES INTENDED FOR 'SWIVEL' STEM MOUNTING ARE TO BE INSTALLED WITH K200 & K201 SERIES SWIVEL STEM ASSEMBLIES. STEM ASSEMBLIES ARE SEPARATELY SHIPPED AND ARE PROVIDED WITH INSTALLATION INSTRUCTIONS. (NOT FOR USE WITH PATTERNS)

SEE INSTALLATION INSTRUCTION SHEET # 3750081

REFERENCE BACK PAGE FOR CONTINUOUS ROW
INSTALLATION & CONNECTION TO CAST FITTINGS



DELGADA RECTANGULAR FLUORESCENT & LED SUSPENDED SAFETY AND INSTALLATION INSTRUCTIONS

ROW INSTALLATION

CAUTION

DO NOT ATTEMPT TO ASSEMBLE FIXTURE ROWS ON GROUND THEN LIFT INTO POSITION. ATTEMPTING TO ASSEMBLE & INSTALL FIXTURES IN THIS MANNER MAY CREATE STRESS AT CONNECTIONS RESULTING IN DAMAGE AND/OR MECHANICAL FAILURE.

STEP 1:

LED ONLY: REMOVE ALL UPPER DEFLECTOR ASSY'S TO PROVIDE CLEAR ACCESS TO JOINING HARDWARE. LOCATE SCREWDRIVER NOTCHES AT ENDS OF DEFLECTOR AND CAREFULLY PRY OUT DEFLECTOR. PUT DEFLECTORS ASIDE TO AVOID DAMAGE.

STEP 2:

INSTALL FIRST FIXTURE IN ROW OBSERVING INSTRUCTIONS PROVIDED WITH MOUNTING HARDWARE AND SHOP DRAWING.

NOTE: CABLE ASSEMBLIES MAY BE LATERALLY ADJUSTED ON HANGER TAB TO LEVEL FIXTURE (FIG. 1)

STEP 3:

POSITION SECOND FIXTURE SUCH THAT IT ALIGNS WITH JOINT END OF FIRST FIXTURE AND HANG WITH INTERMEDIATE CABLE ASSEMBLY AS ILLUSTRATED. PLUG WIRE HARNESES TOGETHER (IF PROVIDED) & PUSH EXCESS WIRE INTO BALLAST CHAMBER. (FIG. 2)

STEP 4:

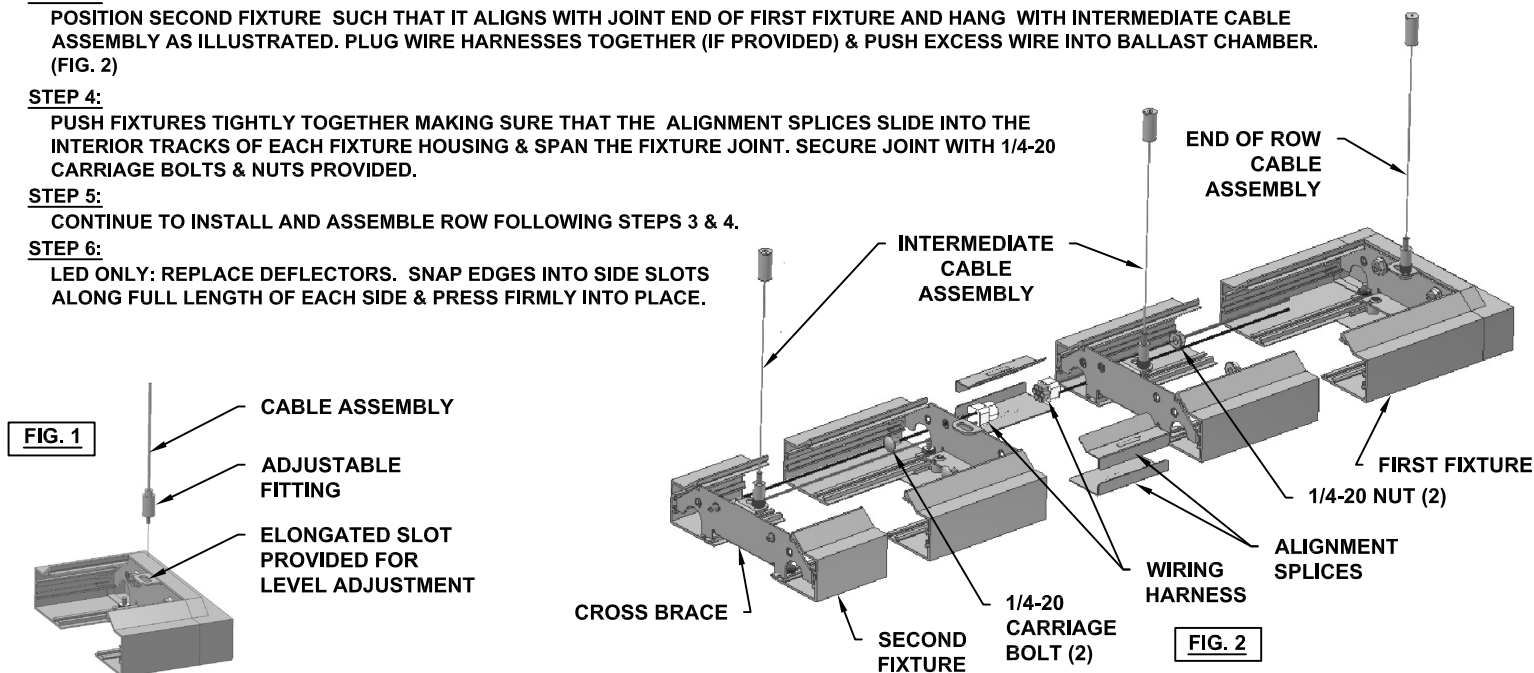
PUSH FIXTURES TIGHTLY TOGETHER MAKING SURE THAT THE ALIGNMENT SPLICES SLIDE INTO THE INTERIOR TRACKS OF EACH FIXTURE HOUSING & SPAN THE FIXTURE JOINT. SECURE JOINT WITH 1/4-20 CARRIAGE BOLTS & NUTS PROVIDED.

STEP 5:

CONTINUE TO INSTALL AND ASSEMBLE ROW FOLLOWING STEPS 3 & 4.

STEP 6:

LED ONLY: REPLACE DEFLECTORS. SNAP EDGES INTO SIDE SLOTS ALONG FULL LENGTH OF EACH SIDE & PRESS FIRMLY INTO PLACE.



CONNECTION TO CAST FITTINGS

CAUTION

DO NOT ATTEMPT TO ASSEMBLE FIXTURE PATTERNS ON GROUND THEN LIFT INTO POSITION. ATTEMPTING TO ASSEMBLE & INSTALL FIXTURES IN THIS MANNER MAY CREATE STRESS AT CONNECTIONS RESULTING IN DAMAGE AND/OR MECHANICAL FAILURE.

STEP 1:

LED ONLY: REMOVE ALL UPPER DEFLECTOR ASSY'S TO PROVIDE CLEAR ACCESS TO JOINING HARDWARE. LOCATE SCREWDRIVER NOTCHES AT ENDS OF DEFLECTOR AND CAREFULLY PRY OUT DEFLECTOR. PUT DEFLECTORS ASIDE TO AVOID DAMAGE.

STEP 2:

INSTALL SUSPENSION CABLES IN LOCATIONS INDICATED ON SHOP DRAWING OBSERVING INSTALLATION INSTRUCTIONS INCLUDED WITH EACH CABLE ASSEMBLY. NOTE THAT AC13000 CABLE SLING ASSEMBLIES ALWAYS OCCUR AT CORNERS.

STEP 3:

RAISE FIRST FIXTURE AND ATTACH ONE END OF CABLE SLING TO ELONGATED SLOT IN FIXTURE CROSS BRACE AND APPROPRIATE CABLE AT OPPOSITE END OF FIXTURE. REPEAT THE ABOVE PROCESS WITH SECOND FIXTURE AT CORNER AS ILLUSTRATED IN FIG. 3

STEP 4:

ATTACH 90° CONNECTOR TO FIRST AND SECOND FIXTURE WITH HEX NUT & LOCK WASHER (FIG.3) PROVIDED. DO NOT ATTACH CONNECTOR COVER AT THIS POINT. SLIDE ADJUSTABLE FITTING TO CENTER OF SLING AND TIGHTEN IN PLACE WITH KNURLED SET SCREW. CABLE LENGTH MAY BE ADJUSTED BY DEPRESSING RETAINER STEM AND RAISING OR LOWERING ADJUSTABLE FITTING TO DESIRED HEIGHT. **CAUTION: BE SURE TO SUPPORT FIXTURES INDEPENDENTLY OF CABLE ASSEMBLY WHEN ADJUSTING CABLE LENGTH.**

STEP 5:

PULL FIXTURE WIRES THROUGH 90° CONNECTOR ASSEMBLY AS REQUIRED. ATTACH CONNECTOR COVER TO 90° CONNECTOR WITH (2)- #8 SCREWS PROVIDED.

STEP 6:

LED ONLY: REPLACE DEFLECTORS. SNAP EDGES INTO SIDE SLOTS ALONG FULL LENGTH OF EACH SIDE & PRESS FIRMLY INTO PLACE.

