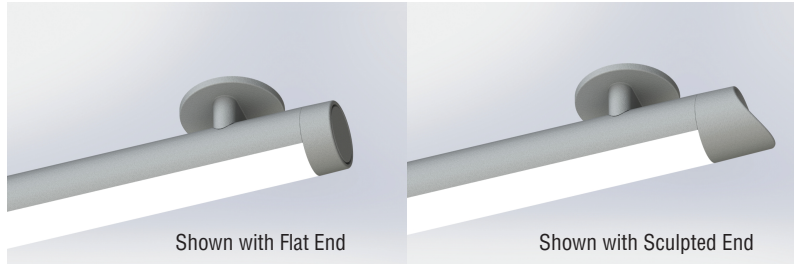


AR300™ - Direct Surface/Ceiling Mount Series

Catalog Number	Type
Project Name	



S P E C I F I C A T I O N S

Housing

One-piece .070" thick extruded aluminum. Standard lengths are nominal 4', 8' and 12'. Provisions may be made for continuous rows of any length.

End Caps

- (FE) Flat End - Die-cast aluminum finished to match fixture housing and secured with no visible fasteners.
- (SE) Sculpted End - Die-cast aluminum finished to match fixture housing and secured with no visible fasteners.

Finish

Standard and premium finishes are baked powder coat electrostatically applied (2.0 mil minimum thickness) to assure aesthetics and durability.

Direct Optical Control

(LOH) LED optimized high transmittance acrylic snap-in lens.

Reflector/Heat Sink

.040" thick die-formed aluminum finished with a high reflectance white enamel.

Circuitry

All fixtures are factory pre-wired for a single circuit. Provision for multiple switching/circuiting is optional.

Wiring

All fixtures intended for continuous rows are provided with factory installed quick-connect wiring.

Driver (Standard)

Osram-Sylvania "Optotronic" power supply is UL/CUL recognized, 0-10V dimming available, 120-277 universal voltage. 347V is available.

Light Engine (Standard)

LED light source available standard for 3000K, 3500K and 4000K CCT, in high and medium light outputs, and 80 or 90 CRI. Standard outputs:

HO - High Output (LOH)

*3679 Total Delivered Lms. at 28 System Watts

MO - Medium Output (LOH)

*2503 Total Delivered Lms. at 19 System Watts

(*All values per 4' using 4000K LED modules)

Driver (Tunable White)

EldoLED power supply is UL recognized, DALI or DMX available, 120-277 universal voltage.

Light Engine (Tunable White)

Tunable White LED light source available for 2700K thru 6500K CCT, and 80 or 90 CRI. Contact factory for available outputs.

*Due to continued advancement in LED technology, lumen performance is subject to change. Please visit our website for the most up-to-date information.

Integral Controls

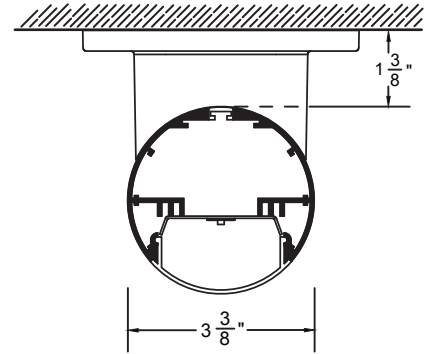
Contact factory for daylight and/or occupancy sensor controls.

Certification

All fixtures are ETL listed for use in 'Dry or Damp' Locations.

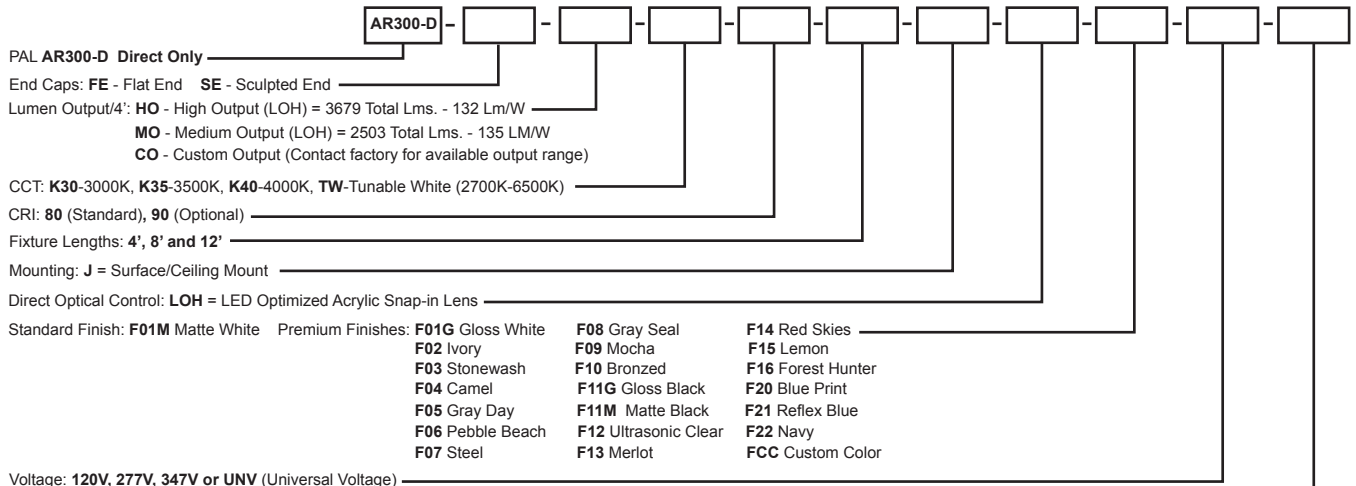
AR300-Dir.-Ceiling

3 3/8" Diameter Round - Direct Surface/Ceiling Mount



AR300-D-HO-LOH
AR300-D-MO-LOH

Sample Catalog Number: AR300-D - FE - HO - K40 - 80 - 4 - J - LOH - F01M - 120 - DIM10



Voltage: 120V, 277V, 347V or UNV (Universal Voltage)

Options: NLCKT = Night-Light Circuit (Common Neutral) EMCKT = Emergency Circuit (Separate Hot & Neutral) EBPLST = Self-Testing Emergency Battery Pack (6 Watt) EBPHST = Self-Testing Emergency Battery Pack (10 Watt) DALI = DALI Protocol Driver(Tunable White) DMX = DMX Protocol Driver (Tunable White) DIM10 = Dimming to 10% DIM1 = Dimming - to 1% DIM0 = Dimming - to 0% (Dark) FS = Fused Drivers DL = Damp Location



Precision Architectural Lighting 4830 Timber Creek Drive Houston, Texas 77017
Tel 713.946.4343 Fax 713.946.4441 www.pal-lighting.com



Made in America