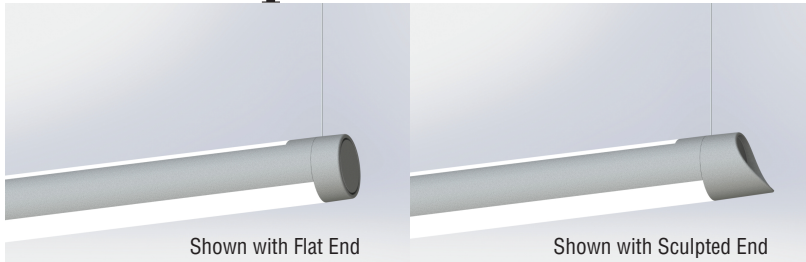


AR300™ - Indirect/Direct Suspended Series

Catalog Number	Type
Project Name	



Shown with Flat End

Shown with Sculpted End

SPECIFICATIONS

Housing

One-piece .070" thick extruded aluminum. Die-cast aluminum end caps are secured with no visible fasteners. Standard lengths are nominal 4', 8', and 12'. Provisions may be made for patterns and continuous rows of any length.

End Caps

- (FE) Flat End - Die-cast aluminum finished to match fixture housing and secured with no visible fasteners.
- (SE) Sculpted End - Die-cast aluminum finished to match housing & secured with no visible fasteners

Finish

Standard and premium finishes are baked powder coat electrostatically applied (2.0 mil minimum thickness) to assure aesthetics and durability.

Indirect Optical Controls

- (LOH) LED optimized high transmittance acrylic snap-in lens - Standard Distribution.
- (WSCL) Wide-Spread Optic and clear co-extruded snap-in lens - Wide-Spread Distribution.

Direct Optical Controls

(LOH) LED optimized high transmittance acrylic snap-in lens.

Reflector/Heat Sink

- Indirect - .040" thick die-formed aluminum finished with a high reflectance white enamel.
- Direct - .040" thick die-formed aluminum finished with a high reflectance white enamel.

Integral Controls

Contact factory for control by Occupancy Sensors, Photo Controls and Daylight Harvesting.

Circuitry

All fixtures are factory pre-wired for a single circuit. Provision for multiple switching/circuiting is optional.

Driver (Standard)

Osram-Sylvania "Optotronic" power supply is UL/CUL recognized, 0-10V dimming available, 120-277 universal voltage. 347V is available.

Light Engine (Standard)

LED light source available for 3000K, 3500K, and 4000K CCT, in high and medium light outputs, and 80 or 90 CRI:

HO/HO -High Output (Up/Dn) - LOH Up/LOH Down
*7682 Total Del'd Lms. at 59 System Watts

HO/HO -High Output (Up/Dn) - WSCL Up/LOH Down
*7494 Total Del'd Lms. at 59 System Watts

MO/MO -Medium Output (Up/Dn) - LOH Up/LOH Down
*5057 Total Del'd Lms. at 36 System Watts

MO/MO -Medium Output (Up/Dn) - WSCL Up/LOH Down
*4933 Total Del'd Lms. at 36 System Watts

(*All values per 4' using 4000K LED modules)

Driver (Tunable White)

EldoLED power supply is UL recognized, DALI or DMX available, 120-277 universal voltage.

Light Engine (Tunable White)

Tunable White LED light source available for 2700K thru 6500K CCT, and 80 or 90 CRI. Contact factory for available outputs.

*Due to continued advancement in LED technology, lumen performance is subject to change. Please visit our website for the most up-to-date information.

Wiring

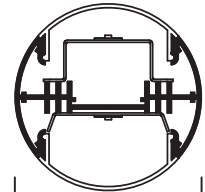
All Fixtures intended for continuous rows are provided with factory installed quick-connect wiring.

Certification

All fixtures are ETL listed for use in 'Dry or Damp' Locations.

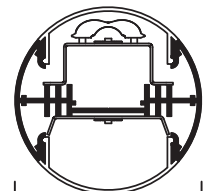
AR300 -I/ D-Susp.

3 3/8" Diameter Round Indirect/Direct Suspended Mount



3 3/8"

AR300-I/D-HO/HO-LOH/LOH
AR300-I/D-MO/MO-LOH/LOH



3 3/8"

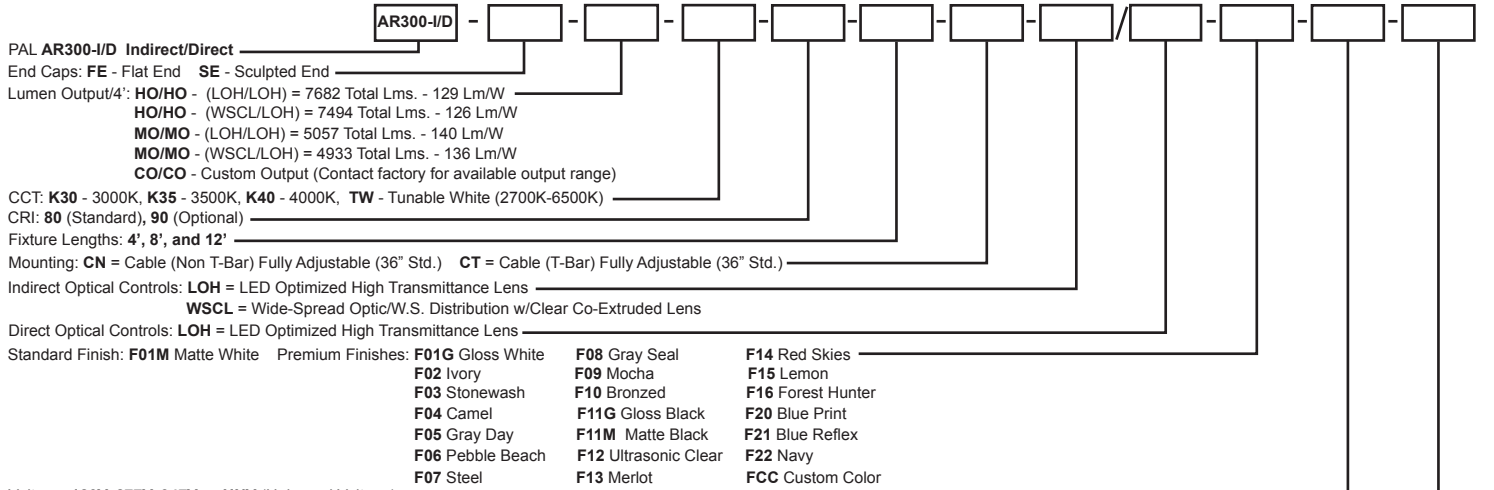
AR300-I/D-HO/HO-WSCL/LOH
AR300-I/D-MO/MO-WSCL/LOH
Shown with Optional W.S. Optic



Wide-Spread Optic

The WS optic is a precisely designed, optical-grade acrylic LED-refraction system. Engineered for superior ceiling uniformity, it provides a more comfortable illuminated space while reducing energy requirements.

Sample Catalog Number: AR300-I/D - FE - HO/HO - K40 - 80 - 4 - CN - WSCL/LOH - F01M - 120 - DIM10



Voltage: 120V, 277V, 347V or UNV (Universal Voltage)
Options: SS(UL) = Upper/Lower LED Row Switching (Common Neutral) NLCKT = Night-Light Circuit (Common Neutral) EMCKT = Emergency Circuit (Separate Hot & Neutral)
EBPLST = Self-Testing Emergency Battery Pack (6 Watt) EBPHST = Self-Testing Emergency Battery Pack (10 Watt) DALI = DALI Protocol Driver (Tunable White)
DMX = DMX Protocol Driver (Tunable White) DIM10 = Dimming to 10% DIM1 = Dimming - to 1% DIM0 = Dimming - to 0% (Dark) FS = Fused Drivers DL = Damp Location

