

# AC13000 SERIES NON-FEED CABLE ASSEMBLY SAFETY AND INSTALLATION INSTRUCTIONS

## CAUTION:

- \* BE CERTAIN THAT POWER TO FIELD WIRING HAS BEEN TURNED OFF PRIOR TO INSTALLATION.
- \* CONNECTIONS TO FIELD WIRES AND GROUNDING OF FIXTURES MUST BE DONE IN ACCORDANCE WITH APPLICABLE LOCAL & NATIONAL CODES. INSTALLATION MUST BE PERFORMED BY QUALIFIED PERSONNEL.
- \* IT IS INSTALLERS RESPONSIBILITY TO ENSURE THAT WALL, CEILING OR JUNCTION BOX IS STRUCTURALLY CAPABLE OF SUPPORTING WEIGHT OF FIXTURE .
- \* BE CERTAIN THAT SUPPLY VOLTAGE IS THE SAME AS THAT MARKED ON BALLASTS AND TRANSFORMERS.

### STEP 1:

DETERMINE CABLE MOUNTING SPACING (FROM FACTORY SHOP DRAWING) AND LOCATE 1/4-20 STUD PROJECTING FROM CEILING 3/4" IN APPROPRIATE LOCATION(S).

### STEP 2:

HOLD CANOPY AGAINST CEILING WITH STUD PASSING THROUGH CENTER HOLE AS ILLUSTRATED. TIGHTEN CABLE BARREL ONTO STUD UNTIL IT IS SNUG AGAINST CANOPY.

### STEP 3:

RAISE FIRST FIXTURE AND ATTACH ONE END OF CABLE SLING TO ELONGATED SLOT IN FIXTURE CROSS BRACE. SECURE OPPOSITE END OF FIXTURE TO APPROPRIATE CABLE SPECIFIED ON SHOP DRAWING. REPEAT THE ABOVE PROCESS WITH SECOND FIXTURE AT CORNER AS ILLUSTRATED (FIG. 1A). TIGHTEN LOCK NUTS SECURELY ON BOTH FIXTURES.

**CAUTION:** DO NOT OVER-TIGHTEN LOCK NUT AS DAMAGE TO THE CABLE SLING ASSEMBLY MAY RESULT.

### STEP 4:

SECURE CORNER CONNECTOR TO FIXTURES PER INSTRUCTIONS PROVIDED WITH FIXTURES. CONTINUE TO RAISE FIXTURE, FEEDING CABLE THROUGH THE ADJUSTABLE FITTING UNTIL DESIRED MOUNTING HEIGHT IS ATTAINED. FIXTURE WILL AUTOMATICALLY BE RETAINED AT THE LAST POINT OF ADJUSTMENT.

### NOTE:

IF IT BECOMES NECESSARY TO LOWER FIXTURE, DEPRESS RETAINER STEM AND LOWER FIXTURE TO DESIRED POSITION.

**CAUTION:** BE CERTAIN TO SUPPORT FIXTURE INDEPENDENTLY OF CABLES WHEN DEPRESSING RETAINER STEM.

### STEP 5:

LEVEL FIXTURES BY SLIDING SLING CABLE THROUGH THE ADJUSTABLE FITTING IN REQUIRED DIRECTION. ONCE FIXTURE IS LEVEL, TIGHTEN THUMB SET SCREW, SECURE SAFETY STOP AND CUT EXCESS CABLE AS REQUIRED.

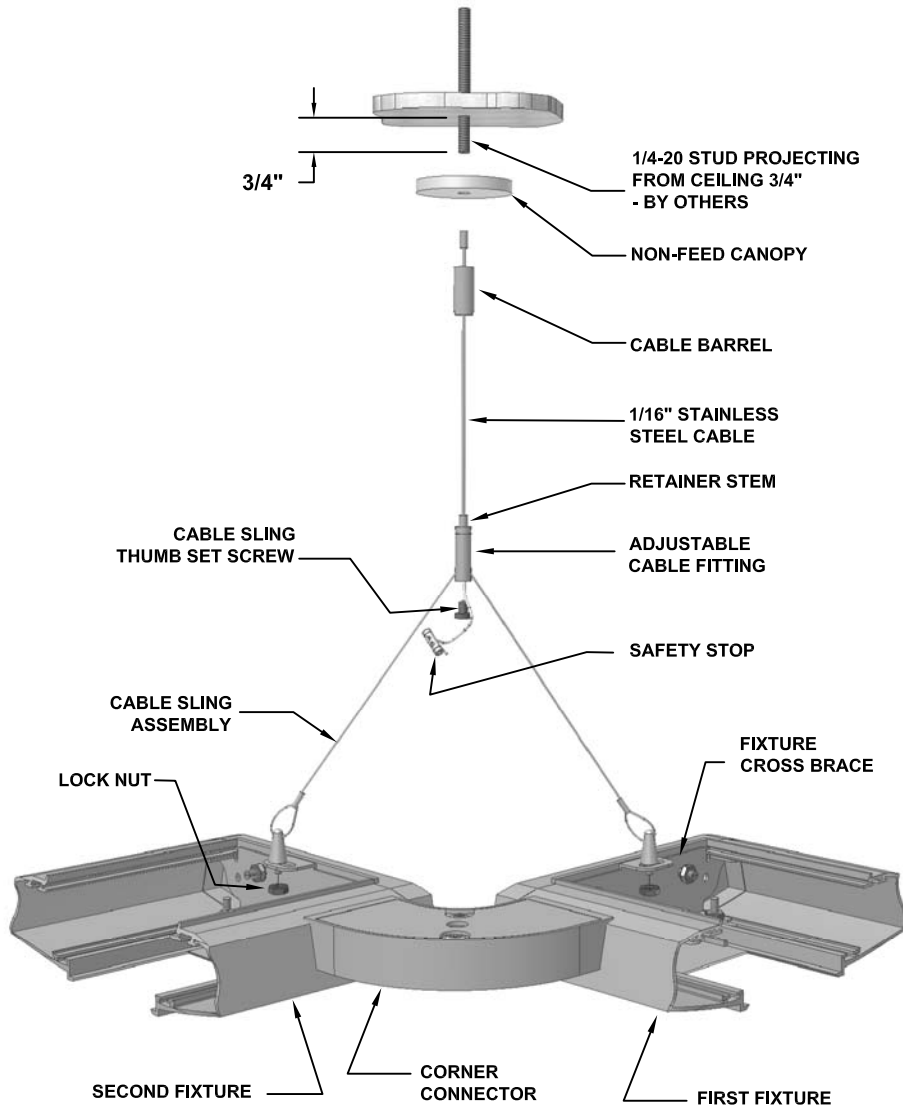


FIG. 1A



# AFC13000 SERIES FEED CABLE ASSEMBLY SAFETY AND INSTALLATION INSTRUCTIONS

## CAUTION:

- \* BE CERTAIN THAT POWER TO FIELD WIRING HAS BEEN TURNED OFF PRIOR TO INSTALLATION.
- \* CONNECTIONS TO FIELD WIRES AND GROUNDING OF FIXTURES MUST BE DONE IN ACCORDANCE WITH APPLICABLE LOCAL & NATIONAL CODES. INSTALLATION MUST BE PERFORMED BY QUALIFIED PERSONNEL.
- \* IT IS INSTALLERS RESPONSIBILITY TO ENSURE THAT WALL, CEILING OR JUNCTION BOX IS STRUCTURALLY CAPABLE OF SUPPORTING WEIGHT OF FIXTURE .
- \* BE CERTAIN THAT SUPPLY VOLTAGE IS THE SAME AS THAT MARKED ON BALLASTS AND TRANSFORMERS.

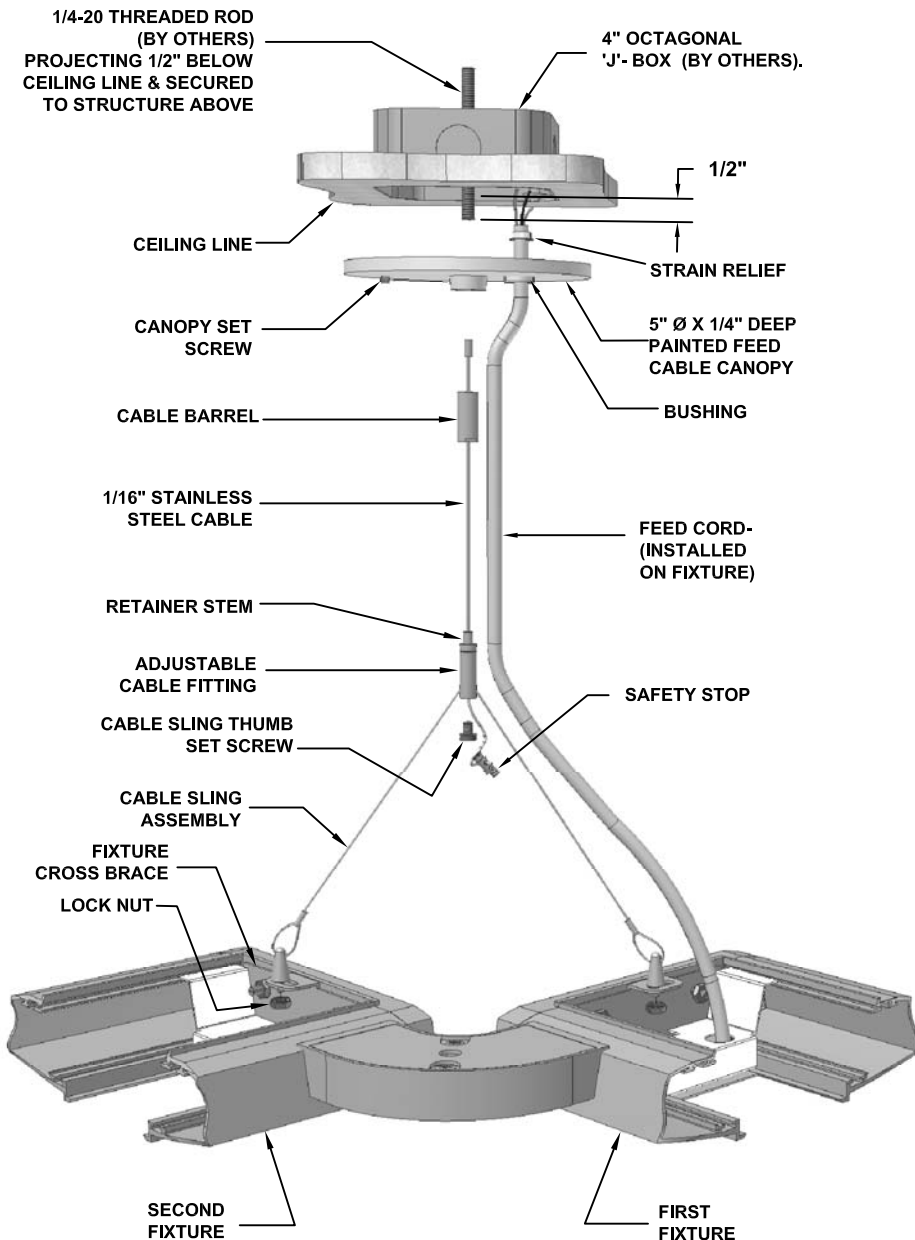


FIG. 2A

### STEP 1:

DETERMINE CABLE MOUNTING SPACING (FROM FACTORY SHOP DRAWING) AND LOCATE 4" OCTAGONAL 'J' BOX AT INDICATED INCOMING WIRE FEED LOCATION(S).

### STEP 2:

DRILL A 5/16" DIAMETER HOLE IN THE ROOF OF THE JUNCTION BOX. POSITION AND SECURE A 1/4-20 THREADED ROD (BY OTHERS) TO STRUCTURAL SUPPORT ABOVE SO THAT IT PASSES THROUGH THE HOLE DRILLED IN THE 'J' BOX AND EXTENDS 1/2" BELOW THE FINISHED CEILING LINE AS ILLUSTRATED.

### STEP3:

ROUTE CABLE BARREL THROUGH CENTER HOLE IN CANOPY AND ATTACH IT TO 1/4-20 STUD EXTENDING FROM 'J'-BOX. RAISE FIRST FIXTURE AND ATTACH ONE END OF CABLE SLING TO ELONGATED SLOT IN FIXTURE CROSS BRACE. SECURE OPPOSITE END OF FIXTURE TO APPROPRIATE CABLE SPECIFIED ON SHOP DRAWING. REPEAT THE ABOVE PROCESS WITH SECOND FIXTURE AT CORNER AS ILLUSTRATED (FIG. 2A). TIGHTEN LOCK NUTS SECURELY ON BOTH FIXTURES.

**CAUTION:** DO NOT OVER-TIGHTEN LOCK NUT AS DAMAGE TO THE CABLE SLING ASSEMBLY MAY RESULT.

### STEP 4:

SECURE CORNER CONNECTOR TO FIXTURES PER INSTRUCTIONS PROVIDED WITH FIXTURES. CONTINUE TO RAISE FIXTURE'S, FEEDING CABLE THROUGH THE ADJUSTABLE FITTING UNTIL DESIRED MOUNTING HEIGHT IS ATTAINED. FIXTURE WILL AUTOMATICALLY BE RETAINED AT THE LAST POINT OF ADJUSTMENT.

### NOTE:

IF IT BECOMES NECESSARY TO LOWER FIXTURE, DEPRESS RETAINER STEM AND LOWER FIXTURE TO DESIRED POSITION.

**CAUTION:** BE CERTAIN TO SUPPORT FIXTURE INDEPENDENTLY OF CABLES WHEN DEPRESSING RETAINER STEM.

### STEP 5:

LEVEL FIXTURES BY SLIDING SLING CABLE THROUGH THE ADJUSTABLE FITTING IN REQUIRED DIRECTION. ONCE FIXTURE IS LEVEL, TIGHTEN THUMB SET SCREW ON BOTTOM OF ADJUSTABLE CABLE FITTING.

### STEP 6:

ROUTE FEED CORD THROUGH 1/2" BUSHING IN CANOPY, CONNECT TO INCOMING POWER FEED WIRES WITHIN JUNCTION BOX WITH APPROPRIATE CONNECTORS AND INSTALL STRAIN RELIEF AS ILLUSTRATED. RAISE CANOPY TO CEILING AND SECURE IN POSITION BY TIGHTENING CANOPY SET SCREW AGAINST CABLE BARREL.

### STEP 7:

SECURE SAFETY STOP AND CUT EXCESS CABLE AS REQUIRED.

### STEP 8:

INSTALL LAMPS AND ENERGIZE FIXTURE TO CHECK FOR PROPER OPERATION.

