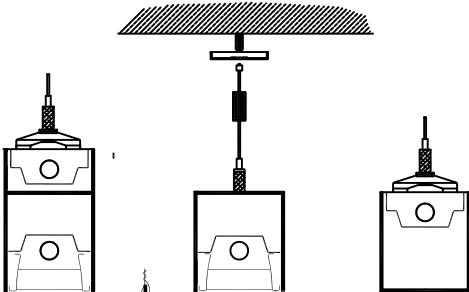


# MICROLINEA SERIES 3 SUSPENDED SAFETY AND INSTALLATION INSTRUCTIONS

## **CAUTION:**

- BE CERTAIN THAT POWER TO FIELD WIRING HAS BEEN TURNED OFF PRIOR TO INSTALLATION.
- CONNECTIONS TO FIELD WIRES AND GROUNDING OF FIXTURES MUST BE DONE IN ACCORDANCE WITH APPLICABLE LOCAL & NATIONAL CODES. INSTALLATION MUST BE PERFORMED BY QUALIFIED PERSONNEL.
- IT IS INSTALLERS RESPONSIBILITY TO ENSURE THAT WALL, CEILING OR JUNCTION BOX IS STRUCTURALLY CAPABLE OF SUPPORTING WEIGHT OF FIXTURE .
- BE CERTAIN THAT SUPPLY VOLTAGE IS THE SAME AS THAT MARKED ON BALLASTS AND TRANSFORMERS.

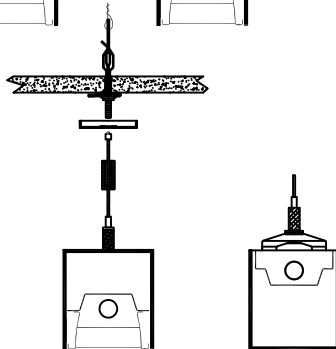
## **SINGLE FIXTURE INSTALLATION**



### **CABLE MOUNT 'OFF GRID' (CN)**

MICROLINEA SUSPENDED FIXTURES INTENDED FOR 'OFF GRID' CABLE MOUNTING ARE TO BE INSTALLED WITH AC7000 & AFC7000 SERIES CABLE ASSEMBLIES. CABLE ASSEMBLIES ARE SEPARATELY SHIPPED AND ARE PROVIDED WITH INSTALLATION INSTRUCTIONS.

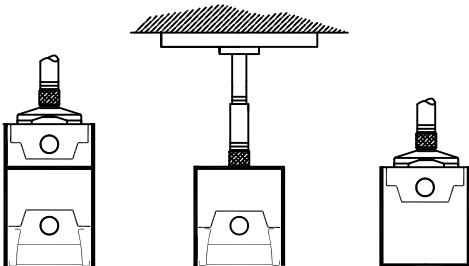
SEE INSTALLATION INSTRUCTIONS SHEET #3750075



### **CABLE MOUNT "ON GRID' (CT)**

MICROLINEA SUSPENDED FIXTURES INTENDED FOR 'T-BAR' CABLE MOUNTING ARE TO BE INSTALLED WITH AC4000 & AFC4000 SERIES CABLE ASSEMBLIES. CABLE ASSEMBLIES ARE SEPARATELY SHIPPED AND ARE PROVIDED WITH INSTALLATION INSTRUCTIONS.

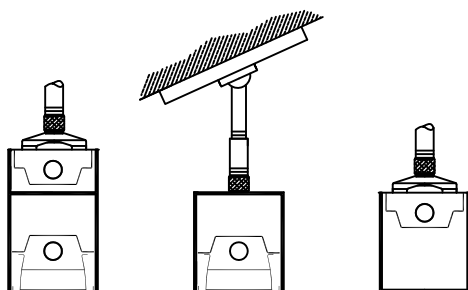
SEE INSTALLATION INSTRUCTION SHEET #3750058



### **RIGID STEM MOUNT (P)**

MICROLINEA SUSPENDED FIXTURES INTENDED FOR 'RIGID' STEM MOUNTING ARE TO BE INSTALLED WITH P200 & P201 SERIES STEM ASSEMBLIES. STEM ASSEMBLIES ARE SEPARATELY SHIPPED AND ARE PROVIDED WITH INSTALLATION INSTRUCTIONS.

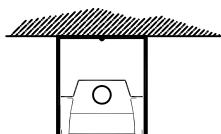
SEE INSTALLATION INSTRUCTION SHEET #3750080



### **SWIVEL STEM MOUNT (K)**

MICROLINEA SUSPENDED FIXTURES INTENDED FOR 'SWIVEL' STEM MOUNTING ARE TO BE INSTALLED WITH K200 & K201 SERIES SWIVEL STEM ASSEMBLIES. STEM ASSEMBLIES ARE SEPARATELY SHIPPED AND ARE PROVIDED WITH INSTALLATION INSTRUCTIONS.

SEE INSTALLATION INSTRUCTION SHEET #3750081



### **CEILING MOUNT (J)**

MICROLINEA SERIES FIXTURES INTENDED FOR DIRECT CEILING MOUNTING SHOULD BE SUITABLY ANCHORED TO CEILING OR SUPPORT STRUCTURE ABOVE WITH  $\frac{1}{4}$ " SCREWS OR THREADED RODS (DEPENDING UPON CEILING CONSTRUCTION). INCOMING FEED WIRES SHOULD BE ROUTED THROUGH THE FEED HOLE IN FIXTURE HOUSING AND WIRE CONNECTIONS MADE IN FIXTURE BALLAST CHAMBER. INCOMING FEED WIRES AND CONNECTORS MUST BE RATED FOR 90°C MINIMUM.

REFERENCE BACK PAGE FOR CONTINUOUS ROW  
INSTALLATION & ATTACHMENT TO CONNECTORS



# MICROLINEA SERIES 3 SUSPENDED SAFETY AND INSTALLATION INSTRUCTIONS

## ROW INSTALLATION

### CAUTION

DO NOT ATTEMPT TO ASSEMBLE FIXTURE PATTERNS ON GROUND THEN LIFT INTO POSITION. ATTEMPTING TO ASSEMBLE & INSTALL FIXTURES IN THIS MANNER MAY CREATE STRESS AT CONNECTIONS RESULTING IN DAMAGE AND/OR MECHANICAL FAILURE.

#### STEP 1:

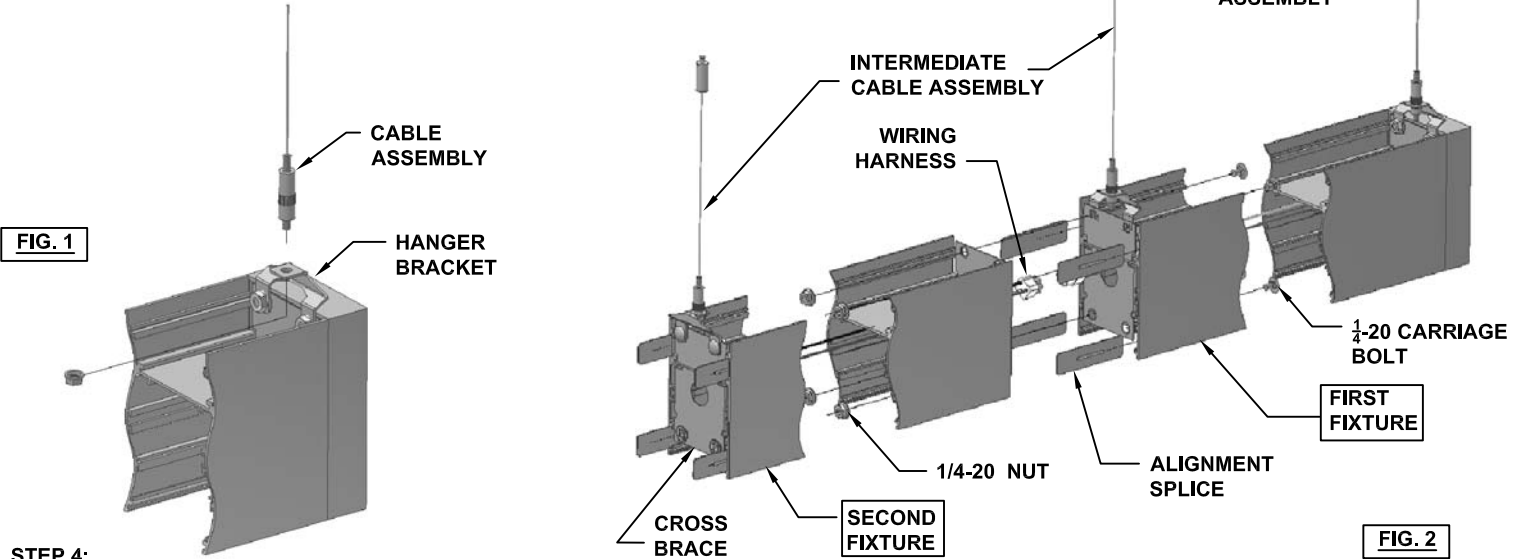
INSTALL FIRST FIXTURE IN ROW OBSERVING INSTRUCTIONS PROVIDED WITH MOUNTING HARDWARE AND SHOP DRAWING. (FIG. 1 & FIG. 2)

#### STEP 2:

POSITION SECOND FIXTURE SUCH THAT IT ALIGNS WITH JOINT END OF FIRST FIXTURE AND HANG WITH INTERMEDIATE CABLE ASSEMBLY AS ILLUSTRATED. PLUG WIRE HARNESSSES TOGETHER (IF PROVIDED) & PUSH EXCESS WIRE INTO BALLAST CHAMBER. (FIG. 2)

#### STEP 3:

PUSH FIXTURES TIGHTLY TOGETHER MAKING SURE THAT THE ALIGNMENT SPLICES SLIDE INTO THE INTERIOR TRACKS OF EACH FIXTURE HOUSING & SPAN THE FIXTURE JOINT. SECURE JOINT WITH 1/4-20 CARRIAGE BOLTS & NUTS PROVIDED.



#### STEP 4:

CONTINUE TO INSTALL AND ASSEMBLE ROW FOLLOWING STEPS 2 & 3.

## ATTACHMENT TO CONNECTORS

### CAUTION

DO NOT ATTEMPT TO ASSEMBLE FIXTURE PATTERNS ON GROUND THEN LIFT INTO POSITION. ATTEMPTING TO ASSEMBLE & INSTALL FIXTURES IN THIS MANNER MAY CREATE STRESS AT CONNECTIONS RESULTING IN DAMAGE AND/OR MECHANICAL FAILURE.

#### STEP 1:

INSTALL AC9000 CABLE ASSEMBLIES ONTO CONNECTORS BY THREADING ADJUSTABLE FITTING ONTO THREADED STUD INSIDE CONNECTOR.

#### STEP 2:

MOUNT CONNECTOR BOX/CABLE ASSEMBLIES AND ANY INTERMEDIATE CABLE ASSEMBLIES IN LOCATIONS INDICATED ON SHOP DRAWING. FOLLOW INSTALLATION INSTRUCTIONS INCLUDED WITH EACH CABLE ASSEMBLY. CONNECTOR COVER SHOULD BE TEMPORARILY POSITIONED ABOVE CONNECTOR TO ALLOW ACCESS INSIDE THE CONNECTOR.

#### STEP 3:

RAISE FIRST FIXTURE AND ATTACH ONE END TO CORNER BOX WITH 1/4-20 NUTS PROVIDED AND OPPOSITE END TO INTERMEDIATE CABLE OR CONNECTOR AS REQUIRED. (SEE FIG. 3). RAISE SECOND FIXTURE TO CONNECTOR AND ATTACH AS PREVIOUSLY DESCRIBED. CONTINUE TO MOUNT OTHER FIXTURES IN PATTERN IN A SIMILAR FASHION UNTIL PATTERN IS COMPLETE.

#### STEP 4:

PULL FIXTURE WIRES THROUGH OR MAKE CONNECTIONS WITHIN THE CONNECTOR ASSEMBLY AS REQUIRED. ATTACH CONNECTOR COVER TO CONNECTOR WITH FOUR #8-32 FLAT HEAD SCREWS PROVIDED.

