

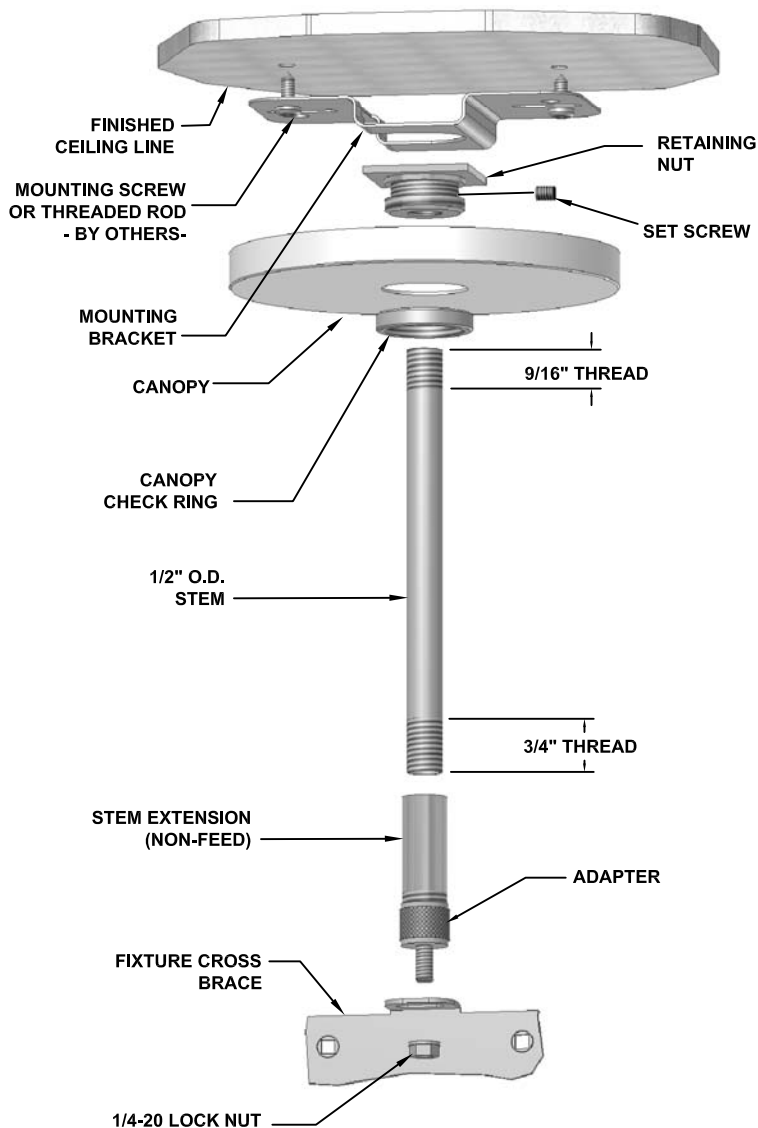
# P200 SERIES NON FEED STEM ASSEMBLY SAFETY AND INSTALLATION INSTRUCTIONS

## **CAUTION:**

- \* BE CERTAIN THAT POWER TO FIELD WIRING HAS BEEN TURNED OFF PRIOR TO INSTALLATION.
- \* CONNECTIONS TO FIELD WIRES AND GROUNDING OF FIXTURES MUST BE DONE IN ACCORDANCE WITH APPLICABLE LOCAL & NATIONAL CODES. INSTALLATION MUST BE PERFORMED BY QUALIFIED PERSONNEL.
- \* IT IS INSTALLERS RESPONSIBILITY TO ENSURE THAT WALL, CEILING OR JUNCTION BOX IS STRUCTURALLY CAPABLE OF SUPPORTING WEIGHT OF FIXTURE .
- \* BE CERTAIN THAT SUPPLY VOLTAGE IS THE SAME AS THAT MARKED ON BALLASTS AND TRANSFORMERS.

## **CAUTION:**

DUE TO WEIGHT CONSIDERATIONS, MOUNTING BRACKET SHOULD BE SECURED DIRECTLY TO STRUCTURAL SUPPORT.



## **STEP 1:**

DETERMINE STEM MOUNTING SPACING (FROM FACTORY SHOP DRAWING) AND SECURE MOUNTING BRACKETS IN APPROPRIATE LOCATION WITH SUITABLE FASTENERS (FASTENERS NOT PROVIDED).

## **STEP 2:**

SCREW STEM EXTENSION ONTO BOTTOM OF STEM (END WITH 3/4" OF THREAD) AND INSTALL ADAPTER ONTO BOTTOM OF STEM EXTENSION AS ILLUSTRATED. SECURE STEM ASSEMBLY TO FIXTURE CROSS BRACE WITH 1/4-20 NUT PROVIDED.

## **STEP 3:**

PLACE CANOPY CHECK RING & CANOPY OVER STEM AS ILLUSTRATED. THREAD RETAINING NUT ON END OF STEM AS ILLUSTRATED AND LOCK INTO PLACE WITH SET SCREW.

## **STEP 4:**

RAISE FIXTURE/ STEM ASSEMBLY AND POSITION NEXT TO PREVIOUSLY INSTALLED MOUNTING BRACKET. - SHIFT ASSEMBLY TOWARDS AND INTO MOUNTING BRACKET AND RELEASE.- BE SURE THAT RETAINING NUT IS FULLY SEATED IN RECESS OF MOUNTING BRACKET.

## **STEP 5:**

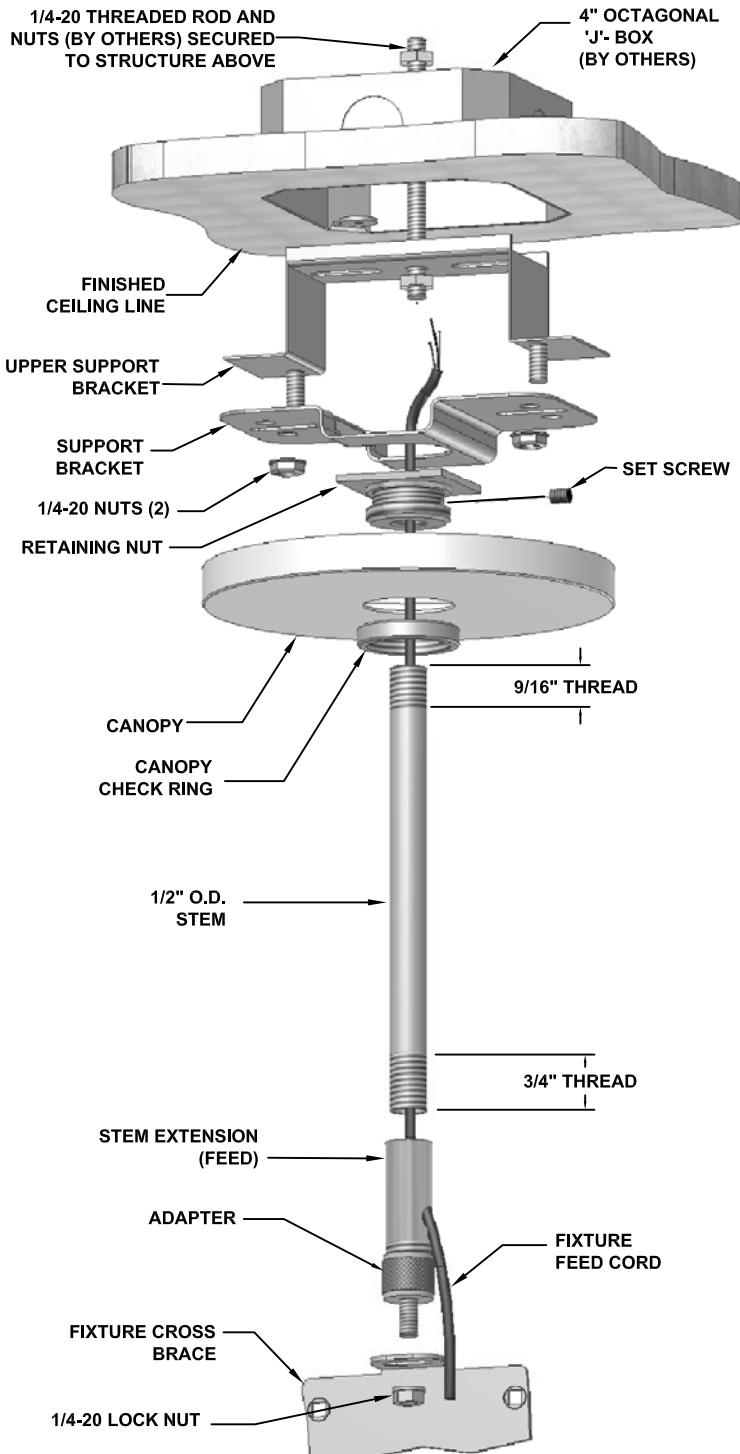
RAISE CANOPY TO CEILING AND SECURE BY THREADING CANOPY CHECK RING ONTO RETAINING NUT.



# P201 SERIES FEED STEM ASSEMBLY SAFETY AND INSTALLATION INSTRUCTIONS

## CAUTION:

- \* BE CERTAIN THAT POWER TO FIELD WIRING HAS BEEN TURNED OFF PRIOR TO INSTALLATION.
- \* CONNECTIONS TO FIELD WIRES AND GROUNDING OF FIXTURES MUST BE DONE IN ACCORDANCE WITH APPLICABLE LOCAL & NATIONAL CODES. INSTALLATION MUST BE PERFORMED BY QUALIFIED PERSONNEL.
- \* IT IS INSTALLERS RESPONSIBILITY TO ENSURE THAT WALL, CEILING OR JUNCTION BOX IS STRUCTURALLY CAPABLE OF SUPPORTING WEIGHT OF FIXTURE .
- \* BE CERTAIN THAT SUPPLY VOLTAGE IS THE SAME AS THAT MARKED ON BALLASTS AND TRANSFORMERS.



## CAUTION:

DUE TO WEIGHT CONSIDERATIONS, UPPER SUPPORT BRACKET SHOULD BE SECURED DIRECTLY TO A STRUCTURAL SUPPORT.

### STEP 1:

INSTALL A 4" OCTAGONAL 'J'-BOX AT FEED LOCATION(S) AS INDICATED ON FACTORY SHOP DRAWINGS.

### STEP 2:

REMOVE CENTER KNOCK-OUT FROM TOP OF JUNCTION BOX - SECURE AN APPROPRIATE LENGTH OF 1/4-20 THREADED ROD TO STRUCTURAL SUPPORT ABOVE AND ALLOW OPPOSITE END TO PASS THROUGH JUNCTION BOX AS ILLUSTRATED.

### STEP 3:

SECURE UPPER SUPPORT BRACKET TO 1/4-20 THREADED ROD WITH TWO NUTS (NOT PROVIDED) AS ILLUSTRATED.

**NOTE:** LOWER EDGE OF UPPER SUPPORT BRACKET SHOULD BE FLUSH WITH FINISHED CEILING LINE.

### STEP 4:

SECURE MOUNTING BRACKET TO UPPER SUPPORT BRACKET WITH 1/4-20 NUTS PROVIDED.

### STEP 5:

SCREW STEM EXTENSION ONTO BOTTOM OF STEM (END WITH 3/4" OF THREAD) AND INSTALL ADAPTER ONTO BOTTOM OF STEM EXTENSION AS ILLUSTRATED. SECURE STEM ASSEMBLY TO FIXTURE CROSS BRACE WITH 1/4-20 NUT PROVIDED.

### STEP 6:

PLACE CANOPY CHECK RING & CANOPY OVER STEM AS ILLUSTRATED. THREAD RETAINING NUT ON END OF STEM AS ILLUSTRATED AND LOCK INTO PLACE WITH SET SCREW. ROUTE FEED CORD FROM FIXTURE THROUGH STEM AS ILLUSTRATED.

### STEP 7:

RAISE FIXTURE/ STEM ASSEMBLY AND POSITION NEXT TO PREVIOUSLY INSTALLED MOUNTING BRACKET. SHIFT ASSEMBLY TOWARDS AND INTO MOUNTING BRACKET AND RELEASE. BE SURE THAT RETAINING NUT IS FULLY SEATED IN RECESS OF MOUNTING BRACKET.

### STEP 8:

MAKE WIRE CONNECTIONS WITHIN 'J'-BOX (WIRE AND CONNECTORS MUST BE RATED FOR 90° C MIN.)

### STEP 9:

RAISE CANOPY TO CEILING AND SECURE BY THREADING CANOPY CHECK RING ONTO RETAINING NUT.

