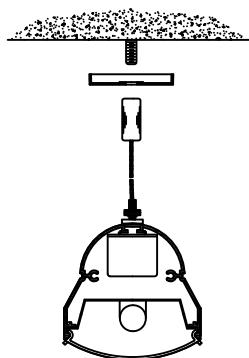


ACCENTRA SUSPENDED MOUNTING SAFETY AND INSTALLATION INSTRUCTIONS

CAUTION:

- * BE CERTAIN THAT POWER TO FIELD WIRING HAS BEEN TURNED OFF PRIOR TO INSTALLATION.
- * CONNECTIONS TO FIELD WIRES AND GROUNDING OF FIXTURES MUST BE DONE IN ACCORDANCE WITH APPLICABLE LOCAL & NATIONAL CODES. INSTALLATION MUST BE PERFORMED BY QUALIFIED PERSONNEL.
- * IT IS INSTALLERS RESPONSIBILITY TO ENSURE THAT WALL, CEILING OR JUNCTION BOX IS STRUCTURALLY CAPABLE OF SUPPORTING WEIGHT OF FIXTURE .
- * BE CERTAIN THAT SUPPLY VOLTAGE IS THE SAME AS THAT MARKED ON BALLASTS AND TRANSFORMERS.

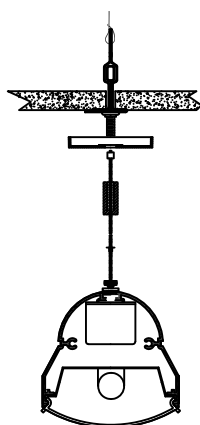
SINGLE FIXTURE INSTALLATION



CABLE MOUNT- 'OFF-GRID' (CN)

ACCENTRA FIXTURES INTENDED FOR 'OFF-GRID' CABLE MOUNTING ARE TO BE INSTALLED WITH AC10000 AND AFC10000 SERIES CABLE ASSEMBLIES. CABLE ASSEMBLIES ARE SEPARATELY SHIPPED AND ARE PROVIDED WITH INSTALLATION INSTRUCTIONS.

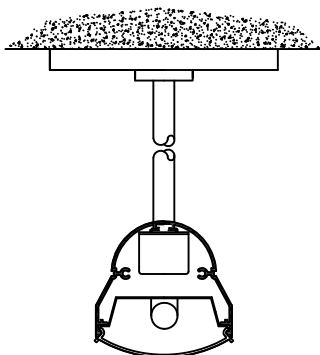
SEE INSTALLATION INSTRUCTION SHEET # 3750088



CABLE MOUNT 'ON-GRID' (CT)

ACCENTRA FIXTURES INTENDED FOR 'ON-GRID' CABLE MOUNTING ARE TO BE INSTALLED WITH AC8000 AND AFC8000 SERIES CABLE ASSEMBLIES. CABLE ASSEMBLIES ARE SEPARATELY SHIPPED AND ARE PROVIDED WITH INSTALLATION INSTRUCTIONS.

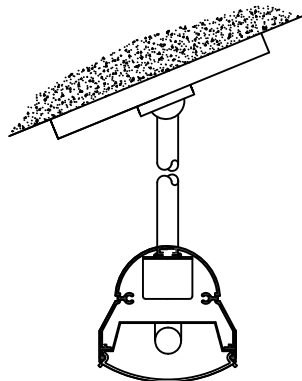
SEE INSTALLATION INSTRUCTION SHEET # 3750086



STEM MOUNT (P)

ACCENTRA FIXTURES INTENDED FOR STEM MOUNTING ARE TO BE INSTALLED WITH P100 SERIES STEM ASSEMBLIES. STEM ASSEMBLIES ARE SEPARATELY SHIPPED AND ARE PROVIDED WITH INSTALLATION INSTRUCTIONS.

SEE INSTALLATION INSTRUCTION SHEET # 3750007



SWIVEL STEM MOUNT (K)

ACCENTRA FIXTURES INTENDED FOR STEM MOUNTING ARE TO BE INSTALLED WITH K100 SERIES STEM ASSEMBLIES. STEM ASSEMBLIES ARE SEPARATELY SHIPPED AND ARE PROVIDED WITH INSTALLATION INSTRUCTIONS.

SEE INSTALLATION INSTRUCTION SHEET # 3750011

REFERENCE BACK PAGE FOR CONTINUOUS ROW INSTALLATION & CONNECTION TO CAST FITTINGS



ACCENTRA SUSPENDED MOUNTING SAFETY AND INSTALLATION INSTRUCTIONS

ROW INSTALLATION

CAUTION

DO NOT ATTEMPT TO ASSEMBLE FIXTURE PATTERNS ON GROUND THEN LIFT INTO POSITION. ATTEMPTING TO ASSEMBLE & INSTALL FIXTURES IN THIS MANNER MAY CREATE STRESS AT CONNECTIONS RESULTING IN DAMAGE AND/OR MECHANICAL FAILURE.

STEP 1:

INSTALL FIRST FIXTURE IN ROW OBSERVING INSTRUCTIONS PROVIDED WITH MOUNTING HARDWARE AND SHOP DRAWINGS.

STEP 2:

REMOVE REFLECTOR FROM SECOND FIXTURE.

STEP 3:

INSTALL TEFLON WASHER IN RECESS ON SECOND FIXTURE END. SEE INSET AT RIGHT FOR PROPER ASSEMBLY.

STEP 4:

THREAD FIRST FIXTURE 'THRU' WIRES THROUGH END PLATE AND SOCKET PLATE OF SECOND FIXTURE.

STEP 5:

ASSEMBLE SPRING WASHER TO HEX NIPPLE AND ROUTE FIRST FIXTURE 'THRU' WIRES THROUGH HEX NIPPLE.

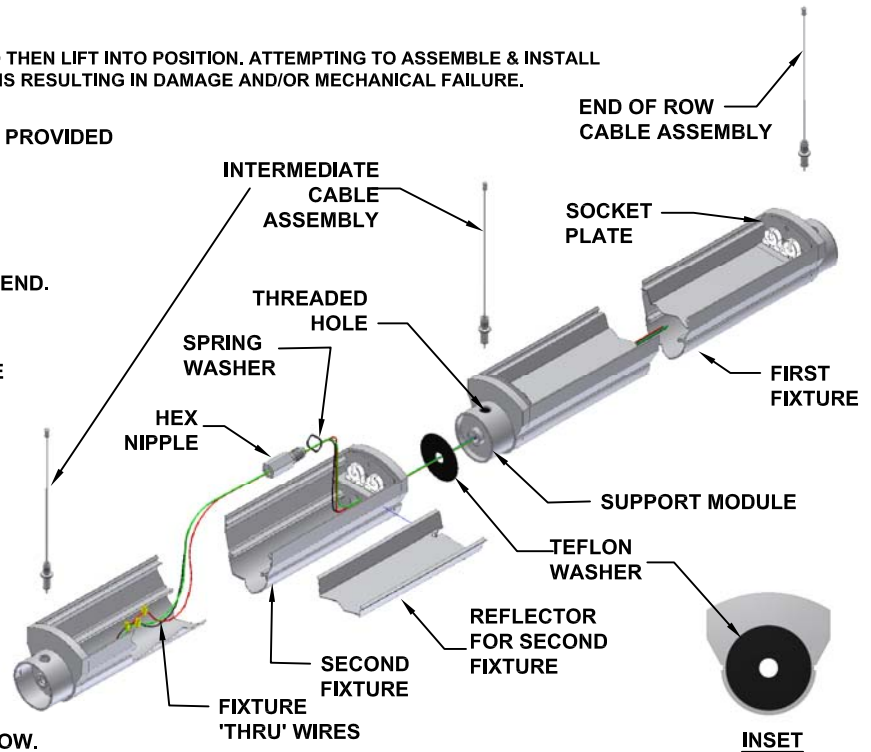
STEP 6:

GUIDE HEX NIPPLE THROUGH SECOND FIXTURE SOCKET PLATE AND END PLATE AND THREAD INTO SUPPORT MODULE. TIGHTEN HEX NIPPLE SECURELY.

STEP 7:

CONNECT FIRST FIXTURE LEADS TO SECOND FIXTURE LEADS AND INSTALL REFLECTOR.

REPEAT STEPS 2 THROUGH 7 FOR REMAINING FIXTURES IN ROW.



CONNECTION TO 90° CAST FITTING

CAUTION

DO NOT ATTEMPT TO ASSEMBLE FIXTURE PATTERNS ON GROUND THEN LIFT INTO POSITION. ATTEMPTING TO ASSEMBLE & INSTALL FIXTURES IN THIS MANNER MAY CREATE STRESS AT CONNECTIONS RESULTING IN DAMAGE AND/OR MECHANICAL FAILURE.

STEP 1:

INSTALL SUSPENSION CABLES IN LOCATIONS INDICATED ON SHOP DRAWING OBSERVING INSTALLATION INSTRUCTIONS INCLUDED WITH EACH CABLE ASSEMBLY. NOTE THAT AC9000 SERIES CABLE ASSEMBLIES ALWAYS OCCUR AT CORNERS

STEP 2:

PUSH CABLE ASSEMBLY & FEED CORD (IF REQUIRED) THROUGH MARKED HOLES IN COVER AND SLIDE COVER UP ON CABLE ASSEMBLY AND CORD. TEMPORARILY SECURE.

STEP 3:

THREAD BARREL OF CABLE ASSEMBLY ONTO CENTER STUD OF 90° CONNECTOR AND TIGHTEN SECURELY.

STEP 4:

INSTALL NIPPLE ASSEMBLY THROUGH LEFT SIDE HOLE OF 90° CONNECTOR AND THREAD INTO FIRST FIXTURE SUPPORT MODULE. TIGHTEN SECURELY.

STEP 5:

GO TO OTHER END OF FIRST FIXTURE AND INSTALL APPROPRIATE CABLE ASSEMBLY.

STEP 6:

INSTALL REMAINING NIPPLE ASSEMBLY THROUGH RIGHT SIDE HOLE OF 90° CONNECTOR AND THREAD INTO SECOND FIXTURE SUPPORT MODULE. TIGHTEN SECURELY.

STEP 7:

GO TO OTHER END OF SECOND FIXTURE AND INSTALL APPROPRIATE CABLE ASSEMBLY.

STEP 8:

ROUTE LEADS FROM FIXTURE SUPPORT MODULES THROUGH NIPPLE ASSEMBLIES INTO 90° CONNECTOR. CONNECT FIXTURE LEADS & FEED CORD (IF REQUIRED). PUSH LEADS AND WIRE CONNECTORS INTO 90° CONNECTOR HOUSING AND ATTACH COVER WITH (2) COVER SCREWS PROVIDED.

STEP 9:

SNAP-IN ALL END CAPS AND LEVEL UNITS.

