

AR600 SERIES SUSPENDED SAFETY AND INSTALLATION INSTRUCTIONS

CAUTION:

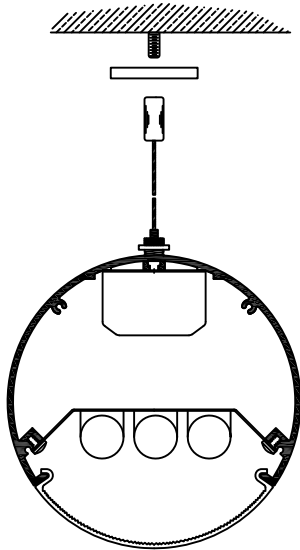
- * BE CERTAIN THAT POWER TO FIELD WIRING HAS BEEN TURNED OFF PRIOR TO INSTALLATION.
- * CONNECTIONS TO FIELD WIRES AND GROUNDING OF FIXTURES MUST BE DONE IN ACCORDANCE WITH APPLICABLE LOCAL & NATIONAL CODES. INSTALLATION MUST BE PERFORMED BY QUALIFIED PERSONNEL.
- * IT IS INSTALLERS RESPONSIBILITY TO ENSURE THAT WALL, CEILING OR JUNCTION BOX IS STRUCTURALLY CAPABLE OF SUPPORTING WEIGHT OF FIXTURE .
- * BE CERTAIN THAT SUPPLY VOLTAGE IS THE SAME AS THAT MARKED ON BALLASTS AND TRANSFORMERS.

SINGLE FIXTURE INSTALLATION

CABLE MOUNT 'OFF GRID' (CN)

AR600 SERIES SUSPENDED FIXTURES INTENDED FOR 'OFF GRID' CABLE MOUNTING ARE TO BE INSTALLED WITH AC1000 & AFC1000 SERIES CABLE ASSEMBLIES. CABLE ASSEMBLIES ARE SEPARATELY SHIPPED AND ARE PROVIDED WITH INSTALLATION INSTRUCTIONS.

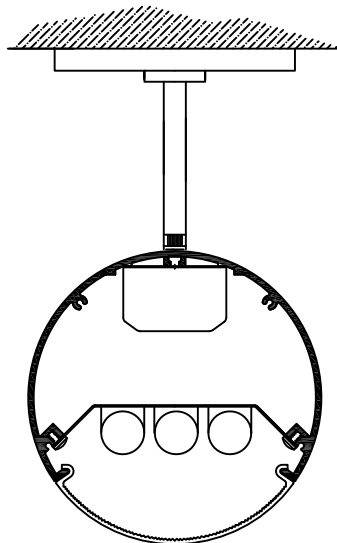
SEE INSTALLATION INSTRUCTION SHEET # 3750055



RIGID STEM MOUNT (P)

AR600 SERIES SUSPENDED FIXTURES INTENDED FOR 'RIGID' STEM MOUNTING ARE TO BE INSTALLED WITH P100 SERIES STEM ASSEMBLIES. STEM ASSEMBLIES ARE SEPARATELY SHIPPED AND ARE PROVIDED WITH INSTALLATION INSTRUCTIONS.

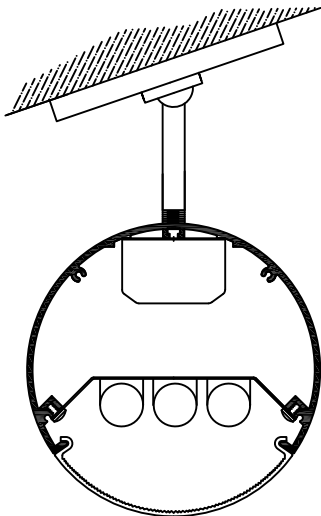
SEE INSTALLATION INSTRUCTION SHEET # 3750007



SWIVEL STEM MOUNT (K)

AR600 SERIES SUSPENDED FIXTURES INTENDED FOR SWIVEL STEM MOUNTING ARE TO BE INSTALLED WITH K100 SERIES SWIVEL STEM ASSEMBLIES. STEM ASSEMBLIES ARE SEPARATELY SHIPPED AND ARE PROVIDED WITH INSTALLATION INSTRUCTIONS.

SEE INSTALLATION INSTRUCTION SHEET # 3750011



NOTE: AR600 FIXTURES SUPPLIED TO ACCEPT TRACK LIGHTING ARE PROVIDED WITH ADDITIONAL INSTRUCTIONS PERTAINING TO THE MOUNTING OF TRACK. ALSO REVIEW ANY INSTRUCTIONS PROVIDED BY THE TRACK MANUFACTURER.

REFERENCE BACK PAGE FOR CONTINUOUS ROW INSTALLATION & CONNECTION TO CAST FITTINGS



AR600 SERIES SUSPENDED SAFETY AND INSTALLATION INSTRUCTIONS

ROW INSTALLATION

CAUTION

DO NOT ATTEMPT TO ASSEMBLE FIXTURE PATTERNS ON GROUND THEN LIFT INTO POSITION. ATTEMPTING TO ASSEMBLE & INSTALL FIXTURES IN THIS MANNER MAY CREATE STRESS AT CONNECTIONS RESULTING IN DAMAGE AND/OR MECHANICAL FAILURE.

STEP 1:

INSTALL FIRST (END) FIXTURE IN ROW OBSERVING MOUNTING INSTRUCTIONS PROVIDED WITH MOUNTING HARDWARE.

STEP 2:

POSITION AND MOUNT NEXT FIXTURE SUCH THAT HOLES IN END PLATES ALIGN AS ILLUSTRATED.

STEP 3:

PLUG FIXTURE WIRE HARNESSES TOGETHER AND PUSH EXCESS WIRE BACK INTO FIXTURE.

STEP 4:

BOLT FIXTURES TOGETHER SECURELY UTILIZING 1/4-20 NUTS, BOLT & ALIGNMENT SHIMS PROVIDED, AS ILLUSTRATED.

NOTE: MAKE SURE EXCESS WIRE FROM WIRE HARNESS IS PUSHED BACK INTO FIXTURE WIREWAY CHAMBER AND IS NOT 'PINCHED' BETWEEN FIXTURES.

STEP 5:

CONTINUE TO INSTALL & ASSEMBLE FIXTURE ROW FOLLOWING INSTRUCTIONS 2 THROUGH 4.

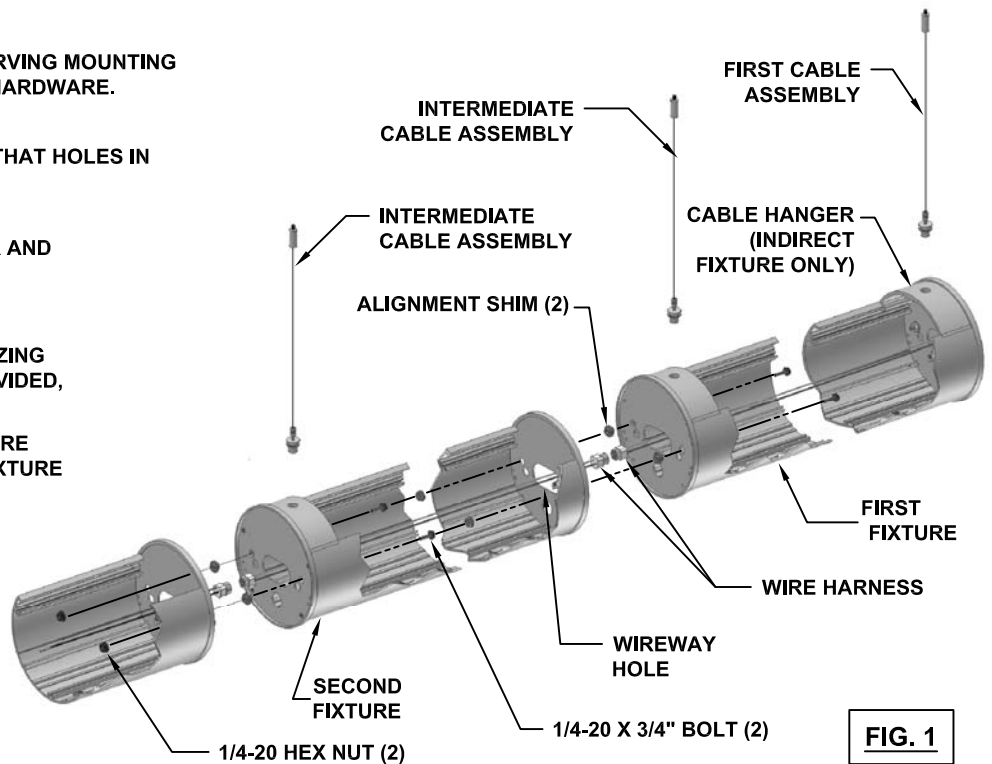


FIG. 1

CONNECTION TO CAST FITTINGS

CAUTION

DO NOT ATTEMPT TO ASSEMBLE FIXTURE PATTERNS ON GROUND THEN LIFT INTO POSITION. ATTEMPTING TO ASSEMBLE & INSTALL FIXTURES IN THIS MANNER MAY CREATE STRESS AT CONNECTIONS RESULTING IN DAMAGE AND/OR MECHANICAL FAILURE.

STEP 1:

INSTALL CONNECTOR WITH MOUNTING HARDWARE PROVIDED, OBSERVING INSTRUCTIONS INCLUDED.

STEP 2:

RAISE FIXTURE TO CONNECTOR & JOIN SUCH THAT THE 1/4-20 STUDS IN THE CONNECTOR PASS THROUGH THE APPROPRIATE HOLES IN FIXTURE END PLATE AS ILLUSTRATED. MAKE CERTAIN ALIGNMENT SHIMS ARE POSITIONED ON THE CONNECTOR STUDS AS ILLUSTRATED.

STEP 3:

SECURE FIXTURE TO CONNECTOR WITH 1/4-20 NUTS PROVIDED.

STEP 4:

MAKE CERTAIN FIXTURE IS ADEQUATELY SUPPORTED UTILIZING MOUNTING HARDWARE PROVIDED BEFORE CONTINUING WITH INSTALLATION OF OTHER PATTERN COMPONENTS. RAISE NEXT FIXTURE TO CONNECTOR AND ATTACH AS PREVIOUSLY DESCRIBED. CONTINUE TO MOUNT OTHER PATTERN COMPONENTS IN A SIMILAR FASHION UNTIL PATTERN IS COMPLETE.

STEP 5:

PULL FIXTURE WIRE HARNESS THROUGH AND MAKE CONNECTIONS AS REQUIRED.

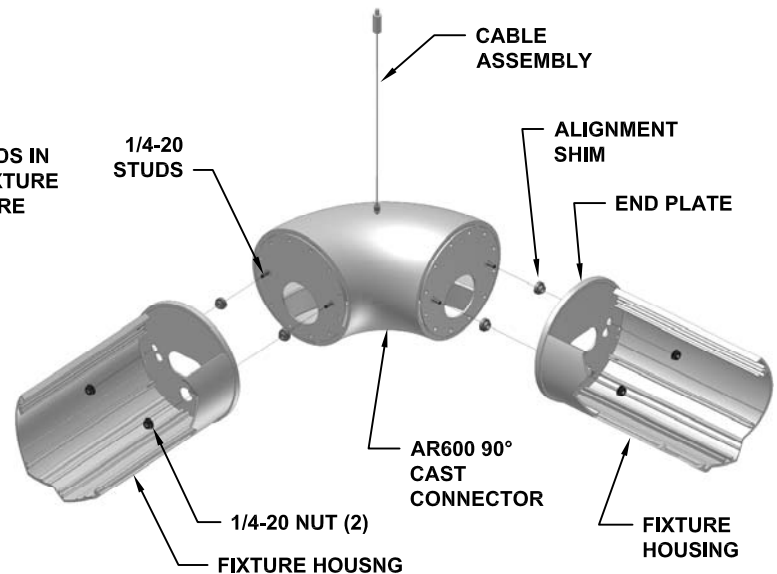


FIG. 2

